



AC MOTORS

**Small Giant**

# Water Pump

## FEATURES

Text data of flow in liters per minute with 1/2" outlet.

Voltage: 120 V, 127 V or 230 V. 3000 RPM.

Packing: Single individual or bulk.

Model	PG-2000	PG-3000	PG-6500
To 11.8 inches (Lts)	12.5	9.5	6.78
To 35.5 inches (Lt)	17	13.6	9.1
To 59 inches (Lt)	20.5	17	15.5
Max. Height to zero flow in inches	78.7	94.5	112.2
Max. work pressure in Kg / cm2	0.18	0.24	0.285
Amperes	0.65	0.90	1.1
Color	Black	Blue	Blue
Hz	60	60	60

High impact plastic pump body, sintered bronze bearings and high durability lubrication.  
Integrated cooling fan.  
Elbow and base are removable for easy cleaning.

- Long duration
- A quality engine for heavy use
- Minimum energy consumption
- Increased water pumping capacity
- Two pole motor.
- Splash guard
- Pump body and booster corrosion and high impact test.
- Rotating elbow with three different outlet diameters.
- Connection tips of 11.8 inches.
- Pump can be supplied for 220 V connection, also with thermal protector, with ON/OFF switch and with duplex cable with molded plug 2 meters long.



PG- 2000



PG- 3000

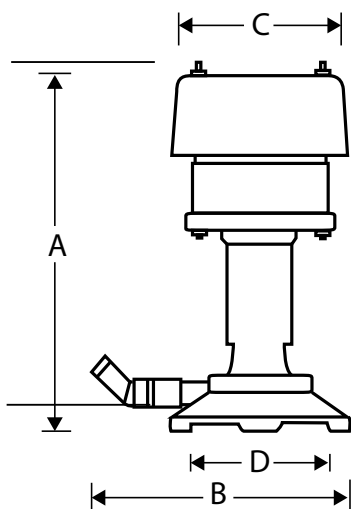
## Applications

Evaporative cooling equipment, humidifiers, decorative fountains, automatic coolers.

## Performance

We have three presentations:  
PG 2000 for Coolers up to 3000 BTUS.  
PG 3000 for Coolers up to 5000 BTUs.  
PG 6500 for Coolers up to 10000 BTUS.

## Dimensions



Model	A (in)	B (in)	C (in)	D (in)
PG-2000	8.5	6.2	4.3	4.3
PG-3000	8.6	6.2	4.3	4.3
PG-6500	8.7	6.2	4.3	4.3



Industria de Motores Eléctricos