



**IMESA**  
 MAKER OF MCMILLAN  
 FOUNDED 1965

## Centrifugal Blowers

### IN LINE FANS

#### Aerodynamic design

**Applications:** Kitchen Ventilation, Bathroom Ventilation, Duct Boosting, Dryer Boosters, Garage Ventilation.

**Type Motor:** Permanent Split Capacitor

**Finish:** Black Paint.

**Fan Material:** Aluminium.

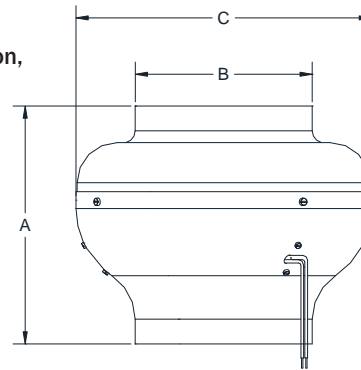
**Insulation:** Class B.

**Bearings:** Ball Bearings.

**Temperature:** Max. 40° C. Thermally Protected.

**Service:** Continuous, "air over".

**Key in reducing cooking odors, smoke, contaminants and moisture.**



Specification and Performance				Mounting Dimensions (inches)			
Model	Voltage	HZ	RPM	"Free CFM"	A	B	C
IL-4	115	60	3100	190	8.20	3.87	9.57
IL-6	120	60	1745	270	10.60	5.87	13.10
IL-6X	120	60	3061	455	10.60	5.87	13.10
IL-8	120	60	3012	690	10.60	7.85	13.10
IL-10	120	60	2979	660	10.60	9.87	13.10
IL-10X	120	60	2811	810	10.60	9.87	13.10

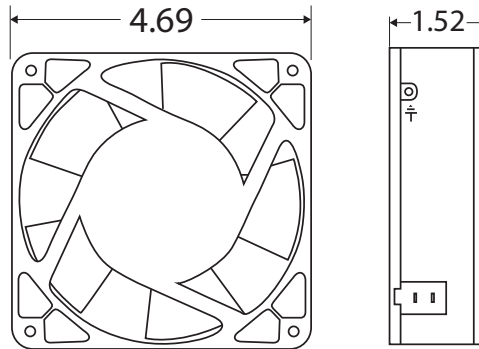
**AXIAL FANS**

**4.69" SQUARE AXIAL FAN**

**Applications:** Ventilating office machines, computer and other electrical equipment, industrial control equipment, audiovisual equipment vending machines, etc.

**Special Features:**

- Rugged die cast zinc frame.
- Polycarbonate molded impeller.
- Impedance protected (ZP).
- Ultra quiet operation.
- Normal life expectancy of 10 years.



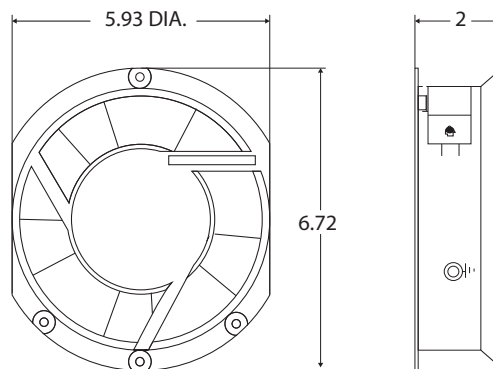
Model	CFM	Voltage	HZ	Watts	Amperes
3-15-2470	45/55	115	50/60	12/11	.16/.14
3-1525-01	45/55	230	50/60	12/11	.08/.07
3-15-2450	50/60	115	50/60	17/16	.19/.18
3-15-2452	50/60	230	50/60	17/16	.10/.09
3-15-2455	60/70	115	50/60	21/18	.26/.23
3-15-2460	60/70	230	50/60	21/18	.13/.12
3-15-3450	85/100	115	50/60	21/18	.29/.24
3-15-3451	85/100	230	50/60	22/17	.16/.13
3-15-4477	95/110	115	50/60	22/18	.38/.28
3-15-4476	95/110	230	50/60	23/18	.19/.14

**6" STACKABLE AXIAL FAN**

**Applications:** Ventilation and industrial refrigeration, industrial coolers, air curtains, ventilation for electronic equipment.

**Special Features:**

- Ball bearing construction.
- Cast aluminum venturi stackable to maximize space efficiency in multiple fan installations.
- Quiet efficient operation.
- Stackable for space reduction when group or together.



Model	CFM	Voltage	HZ	Watts	Amperes
3-15-5601	260	115	50/60	37	0.32
3-15-5602	260	230	50/60	43	0.19

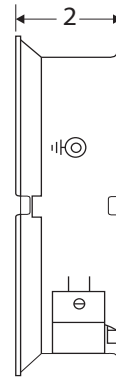
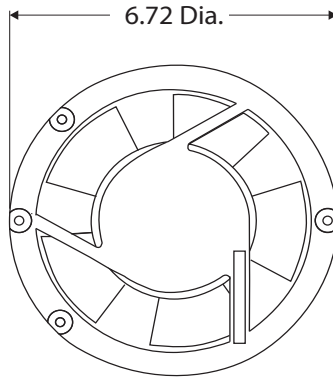
**AXIAL FANS**

**6" ROUND AXIAL FAN**

**Applications:**  
For cabinet cooling of electronic equipment, ventilation, computer, chassis and communication systems, etc.

**Special Features:**  
Ball bearing construction.  
Aluminum die cast venturi.  
Polycarbonate Molded impeller.

**2 Pole PSC Motor for quiet efficient operation.**



Model	CFM	Voltage	HZ	Watts	Amperes
3-15-5800	260	115	50/60	37	0.32
3-15-5801	260	230	50/60	43	0.19

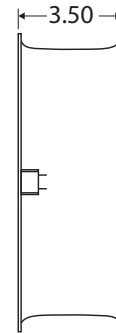
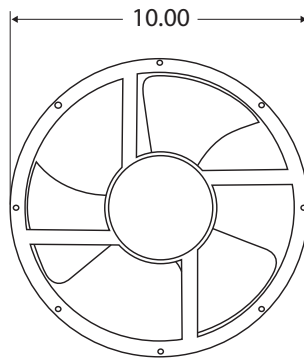
**10" AXIAL FAN**

**Applications:**  
Ventilation and commercial refrigeration, industrial cooling, cabinet cooling of electronic equipment, computer chassis and communication systems, etc.

**Special Feature:** Ball bearing construction.  
Aluminum die cast venturi. Polycarbonate molded impeller.

**4 Poles PSC Motor for quiet efficient operation.**

**Note: CAN BE SUPPLIED WITH STEEL GUARDS AS PROTECTION (ACCESSORY No. 106180000)**



Model	CFM	Voltage	HZ	Watts	Amperes
5-50-0100	560	115	50/60	36	.35
5-50-5100	560	230	50/60	36	.19

# OPEN FANS WITH UNIT BEARING MOTOR AND ROUND WIRE SUPPORTS

## UNIT BEARING OPEN FANS WITH BRACKETS

**Applications:** Ventilation and industrial refrigeration, ventilating for electronic equipment, audiovisual equipment, electronic assemblies, etc.

**Special Features:**

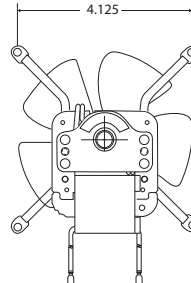
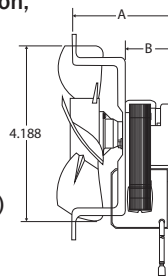
Unit bearing motor.

Metal brackets.

Frequency: 50/60 Hz.

Air away from motor (AA) and air over motor (AO)

Extra quiet operation.



Model	CFM	Voltage	Air Flow	Watts	Amperes	RPM	A	B
3-90-8340	65	115	AA	12/10	.27/.19	2200/1950	1.93"	1"
3-90-8341	65	115	AO	12/10	.27/.19	2200/1950	1.93"	1"
3-90-8342	65	230	AA	12/10	.13/.10	2200/1950	1.93"	1"
3-90-8343	65	230	AO	12/10	.13/.10	2200/1950	1.93"	1"
3-90-8362	65	115/230	AA	12/10	Igual	2200/1950	1.93"	1"
3-90-8363	65	115/230	AO	12/10	Igual	2200/1950	1.93"	1"
3-90-8201	105	115	AA	17/15	.37/.30	2500/2750	2.06"	1.11"
3-90-8202	105	115	AO	17/15	.37/.30	2500/2750	2.06"	1.11"
3-90-8207	105	230	AA	17/15	.19/.15	2500/2750	2.06"	1.11"
3-90-8206	105	230	AO	17/15	.19/.15	2500/2750	2.07"	1.11"
3-90-8356	105	115/230	AA	17/15	Igual	2500/2750	2.06"	1.11"
3-90-8357	105	115/230	AO	17/15	Igual	2500/2750	2.08"	1.11"

## UNIT BEARING OPEN FAN WITH VENTURI

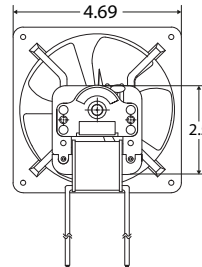
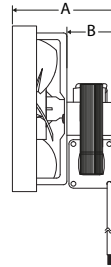
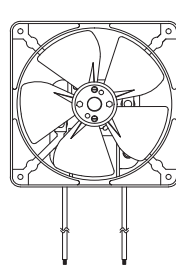
**Applications:** Ventilation and industrial refrigeration, ventilating for electronic equipment audiovisual equipment, electronic assemblies, etc.

**Special Features:** Aluminum die cast venturi.

Frequency: 50/60 Hz.

Lead terminals: 6", 8", 10" and 12" Length.

Quiet Operation.



Mod	CFM	Voltage	Air Flow	Watts	Amperes	RPM	A	B
3-90-8193	65	115	AA	12/10	.27/.19	2150/1950	2.5"	1"
3-90-8194	65	115	AO	12/10	.27/.19	2150/1950	2.5"	1"
3-90-8308	65	230	AA	12/10	.13/.10	2150/1950	2.5"	1"
3-90-8309	65	230	AO	12/10	.13/.10	2150/1950	2.5"	1"
3-90-8360	65	115/230	AA	12/10	Igual	2150/1950	2.5"	1"
3-90-8361	65	115/230	AO	12/10	Igual	2150/1950	2.5"	1"
3-90-8190	105	115	AA	17/15	.37/.30	2650/3000	2.95"	1.43"
3-90-8191	105	115	AO	17/15	.37/.30	2650/3000	2.95"	1.43"
3-90-8133	105	230	AA	17/15	.19/.15	2650/3000	2.95"	1.43"
3-90-8136	105	230	AO	17/15	.19/.15	2650/3000	2.95"	1.43"
3-90-8358	105	115/230	AA	17/15	Igual	2650/3000	2.95"	1.43"
3-90-8359	105	115/230	AO	17/15	Igual	2650/3000	2.95"	1.43"