

GENERAL PURPOSE CENTRIFUGAL BLOWERS

Applications: Ventilation, stoves and air conditioning systems, also used as air exhausters.

Features:

Finish: Powder coat Black color.

Bearings: Sleeve Bearings, self aligning or Ball Bearings.

Ambient Temperature: Max. 40°C. Thermally Protected.

Type Motor: Shaded Pole.

Rotation: CW or CCW.

Insulation: Class B.

Service: Continuous "air over".



Fig 1



Fig 2

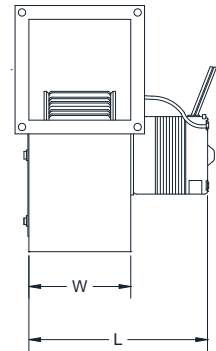
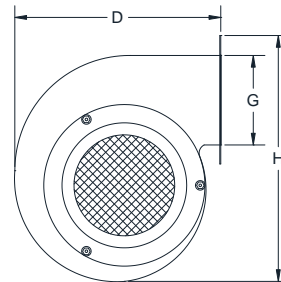


Fig.	Model	HP	Volts	AMPS	HZ	RPM	G	W	D	H	L	Replaces
1	S50	1/200	115	0.32	60	1550	2.12	2.19	6.31	5.84	4.89	Fasco: 06-65-2
1	S90	1/50	115	0.76	60	3000	2.12	2.19	6.31	5.84	5.28	Fasco: 06-90-2
2	S180	1/40	120	0.50	60	1550	3.46	3.46	8.27	8.22	6.66	Fasco: 03-150-2
3	S265	1/25	115	1.37	60	1550	3.562	4.06	9.25	8.50	7.0	Fasco: 18-265-2, B455227 W.W.G.;4c869, 4C447
4	S465	1/20	115	2.20	60	1550	3.562	7 7/8	9.25	8.50	1.0.0	Fasco: 22-465-6 B45267
4	S525	1/20	115	2.4	60	1550	3.562	7 7/8	9.25	8.50	1.0.0	Fasco:22-550-2 W.W.G.;5C508
5	DDS-800	1/8	115	4.0	60	1450	4.38	4.56	10.9	10.16	14.2	Fasco:-21800-2



Fig 3



Fig 4



Fig 5

Applications: Ventilating Equipment, Cooling and Refrigeration equipment, Dryers, Air Curtains.

Features:

Motor Type: Shade Pole.

Voltages: 115 ,120, 230 V.

Rotation: CWSE or CCWSE, with motor position change.

Finish: Stainless Steel, Aluminized Steel.

Insulation: Class B.

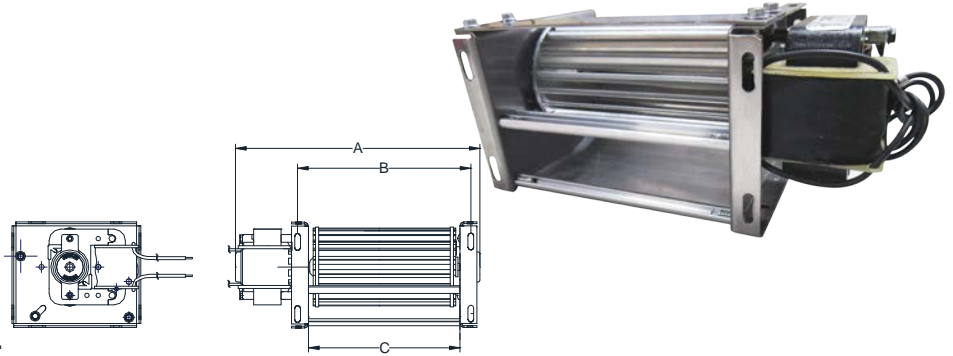
Bearings: Sleeve Bearing or Ball Bearings

Temperature: Máx. 40° C. Thermally Protected.

Service: Continuous "air over".

High temperature insulation for motors is available.

CROSS FLOW BLOWERS



Specification and Performance							Dimensions (Inches)			Wheel Length
Model	HP	Voltage	Amperes	HZ	RPM	"Free CFM"	A	B	C	
CFSHL65X120R2640	1/220	120	0.5	60	1694	60	7.89	5.30	4.72	120 mm
CFSHL65X180R2640	1/185	120	0.6	60	1638	87	10.51	7.67	7.09	180 mm
CFS-HL65X240R2640	1/185	120	0.7	60	2900	113	12.99	10.03	9.45	240 mm
CFSHL65X300R2640	1/118	120	0.9	60	3200	138	15.48	12.39	11.81	300 mm

LOW PROFILE TYPE BLOWERS

These units are available in single or double fashion. They are used in limited mounting spaces. Applications: Fireplace, wood burning stoves, kitchen range hoods, Heat transfer equipment, Medical equipment.

Features:

Motor Type: Shade Pole.

Rotation: CWSE ó CCWSE

Finish: Black Paint

Insulation: Class B.

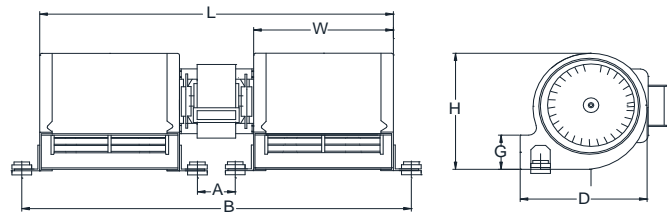
Bearings: Sleeve Bearing or Ball Bearings

Temperature: Máx. 40° C. Thermally Protected.

Service: Continuous "air over".



Model	D	G	H	L	W	A	B
P-40	4.06	1.06	3.90	5.00	3.00	*	*
P-80	4.06	1.06	3.90	6.93	4.63	*	5.75
P-125	4.06	1.06	3.90	11.65	4.63	1.36	1.36
P-125-1	4.06	1.06	3.90	13.43	4.63	3.38	14.50



Model	HP	Voltage	Amperes	HZ	RPM	"Free CFM"
P-40 Single	1/167	120	0.54	60	2800	40
P-80 Single	1/62	120	1.5	60	2800	80
P-125	1/40	120	1.65	60	2900	125
P-125-1	1/40	115	1.65	60	3200	125

REPLACEMENT BLOWERS

Insulation: Class B.
Bearings: Sleeve Bearings or Ball Bearings.

Max. Temperature 40°C. Thermally Protected.
Continuous "air over", UL and CSA



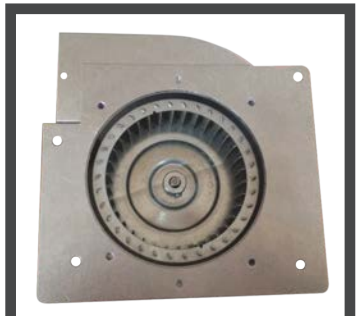
1/40 HP, 115/230V, 0.4/0.2A
50/60 HZ, 3000 RPM, PSC.
CRESCOR REF.0769 - 180K, 85CFM
MODEL: N1608073



1/7 HP, 208/230V, 1.2A
50/60 HZ, 1625 RPM, PSC
FASCO REF.70902013, 650CFM
MODEL: N1601021



1/8 HP, 208/230V, 1.2A
50/60 HZ, 3250 RPM, PSC
EBM-PAPST D2E133-AM47-23,
460 CFM. MODEL: N1601022C



1/25 HP, 208-230 V, 0.65/0.75A
60 HZ, 3000 RPM, PSC, 120-130 CFM,
ARMSTRONG JB1N075, JA1N110 7021-
10126, 7021-12374 MODEL: M1606014A



1/35 HP, 115 V, 1.3 A, 50/60 HZ,
3000 RPM, SP, FASCO REF. A157,
80 CFM, GOODMAN 7002-2307,
7002-2771. MODEL: M1611018



1/20 HP, 115 V, 1.9 A, 50/60 HZ,
3250 RPM, SP, FASCO REF. A129,
160 CFM; AMANA 7021-9064, 7021-9259
MODEL: M1611017



1/70 HP, 115 V, 0.65 A,
50/60 HZ, 3000 RPM, SP,
FASCO REF.6080-082, 60CFM
MODEL: 283-AK-572/6



1/30 HP, 115 V, 1.2 A, 60 HZ, 3000
RPM, SP, REF.82702 125CFM
YORK 7021-8612
MODEL: 283-AK-261/184



1/30 HP, 115 V, 1.05 A, 50/60 HZ, 3000
RPM, SP, REF.66067, 110 CFM
YORK 326-32067-000
MODEL: 283-AK-261/185



1/25 HP, 460 V, 0.35 A, 60 HZ, 3000 RPM,
SP, REF.70-23641-82, 135 CFM
TRANE 381888942406
MODEL: 283-AK-261/183



1/35 HP, 115 V, 1.0 A,
50/60 HZ, 3300 RPM, SP,
FASCO REF.702112995, 90CFM
MODEL: 8211715130



1/20HP, 115/230 V, 1.3/0.65 A, 50/60
HZ, 3000/2500 RPM, SP, PACK ALL
REF.702112342, 140/115 CFM
MODEL: 283-AK-598/1