



Duct Fan

SKY DANCERS

Applications: Inflatables, air tubes, sky dolls.

Type Motor: Permanent Split Capacitor.

Rotation: CCWSE

Insulation: Class B

Bearings: Ball Bearings

Temperature: Max. 40°C. Thermally Protected

Service: Continuous, "air over".

Fan Blade: 16"

Velcro tape which allows simple installation for advertising uses.

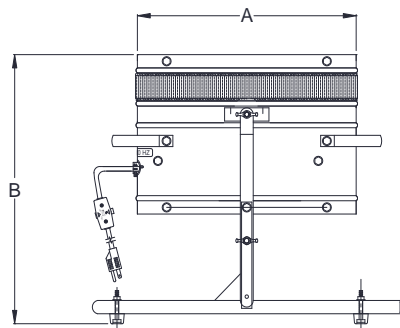
Robust and pleasant equipment.

Powerful fan motor assembly with high air delivery capacity.

Electrostatic black paint.

Easy to transport.

Economic on energy requirements.



Model	HP	Voltage	Amperes	HZ	RPM	Watts	Mounting Dimensions (inches)		
							A	B	FAN
429-ID/5	1/4	120	2.2	60	1650	246	13	2.12	12
229-ID/5	1/2	120	4.0	60	3350	470	13	2.12	12
248-ID/3	3/4	120	4.8	60	3450	560	17	19.50	16