



**¡3 IN 1 PSC MOTOR!**

# Permanent Split Capacitor Motor

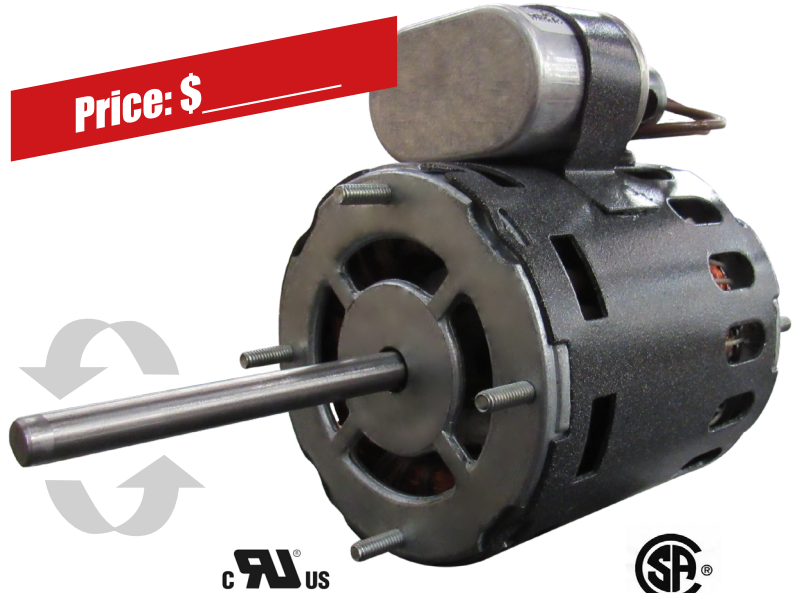
## FEATURES

Nuts both sides for quick mounting

Connection diagram attached for easy connection

Reversible plug for easy rotation change

Model	429 - 140 / 18
HP	1/12 - 1/15 - 1/20
Volts	115/208 - 230
Amps	1.55 / 0.63
Rotation	Rev.
Speeds	1
RPM	1625 / 1300
Hz	60 / 50
Insulation	Class B
Temperature	40°C Ambient
Overall Length (OL)	6 - 5/8"
Length Less Shaft (LLS)	3 - 1/2"
Shaft Dia. (SD)	5/16"
Shaft Length (LS)	3 - 1/8"
Certification:	UL y CSA



**50% more efficient than shaded pole motors**

## Applications

Replacement for Walk-in cooler Evaporator fans

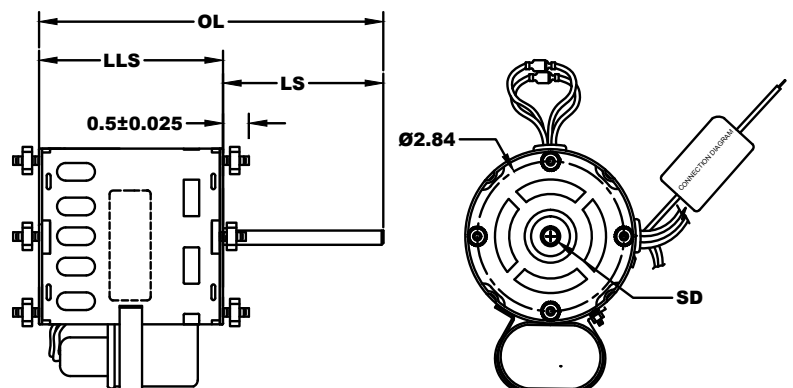
## Performance

The motor is designed to deliver more power with a lower amperes. Ball bearings provide smooth and quiet operation and extend motor's life.

## Replacements

A.O. Smith	9721
Emerson	9650, 9651, 9652, 9656, 9664
Fasco	D1127, D1101, D1103, D1122, D1123, D1124, D1125, D1126, D1152, D1154, PD1125, PD1127, 7163-2113, 7163-3371, 7190-0442, 7190-2084, 7190-2055, 7190-2285, 7190-2969
GE	5KSM59ES2001, 5KSM59JSK143S, 5KSM59JS5036S, 5KSM59LS226AS
OEM Part	253086601, 25309101, 2531194, 2531195, 7071061

## Dimensions



Industria de Motores Eléctricos  
www.imesamotors.com



## 3.3 PSC Motor

# Permanent Split Capacitor Motor

### FEATURES

Connection diagram attached for easy connection

Reversible plug for easy rotation change

Model	429 - 458 / 1
HP	1 / 15
Volts	208 - 230
Amps	0.5 / 0.6
Rotation	Rev.
Speeds	1
RPM	1550
Hz	60 / 50
Insulation	Class B
Temperature	40°C Ambient
Overall Length (OL)	6 - 1/2"
Length Less Shaft (LLS)	4"
Shaft Dia. (SD)	5/16"
Shaft Length (LS)	2 1/2"
Certification:	UL y CSA
Bearings	Sleeve
Service	Continuous "air over"
Thermally Protected	Automatic

### Replacements

A.O. Smith	990, 991
Fasco	D404, D405



CEC US



**50% more efficient than shaded pole motors**

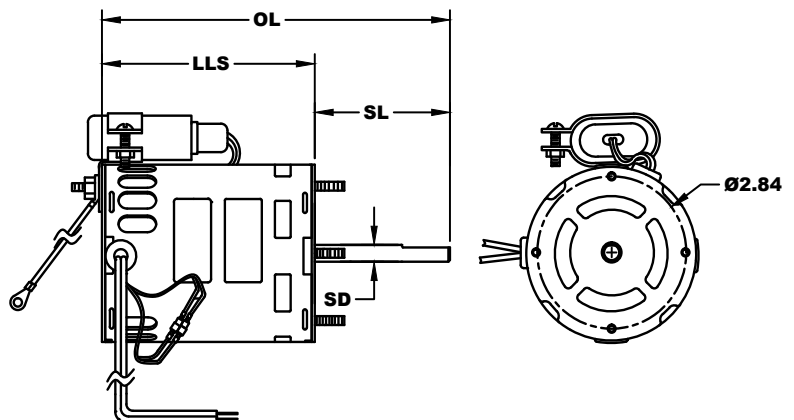
### Applications

Frigus Bohn, Direct replacements.

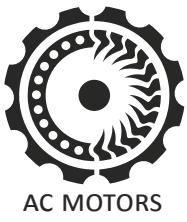
### Performance

The motor is designed to deliver more power with a lower amperes. Ball bearings provide smooth and quiet operation and extend motor's life.

### Dimensions



Industria de Motores Eléctricos  
www.imesamotors.com



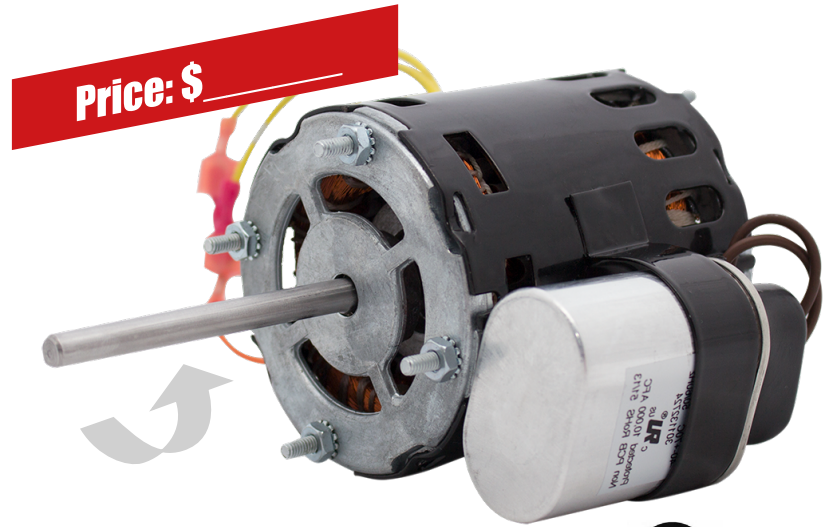
## 3.3 PSC Motor

# Permanent Split Capacitor Motor

### FEATURES

Connection diagram attached for easy connection

Model	429 - 376 / 5
HP	1 / 15
Volts	230
Amps	0.7
Rotation	CCWSE
Speeds	1
RPM	1550 / 1300
Hz	60 / 50
Insulation	Class B
Temperature	40°C Ambient
Overall Length (OL)	6"
Length Less Shaft (LLS)	3 1/2"
Shaft Dia. (SD)	5/16"
Shaft Length (LS)	2 1/2"
Certification:	UL y CSA
Bearings	Ball
Service	Continuous "air over"
Thermally Protected	Automatic



**50% more efficient than shaded pole motors**

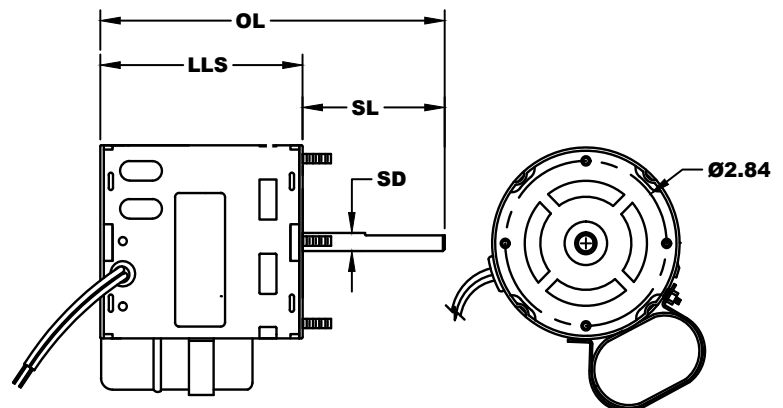
### Applications

Air conditioned, Ventilating and Cooling Equipment.

### Performance

The motor is designed to deliver more power with a lower amperes. Ball bearings provide smooth and quiet operation and extend motor's life.

### Dimensions



### Replacements

Tecumshe

810F050C20



Industria de Motores Eléctricos  
www.imesamotors.com