

DUCT FANS

Air Booster

Made to control flow of air in metallic and flexible ducts. Will balance flow of air in air conditioning control systems. Can help to significantly reduce use of energy.

IMESA
MAKER OF MCMILLAN



- Bathroom extractors
- Kitchen extractors
- Heat exchangers
- Air circulation

Can be used to eliminate hot air, humidity, dab odors, as well as other contaminants in the air.

Several Sizes for Residential And Commercial Uses

SPECIFICATION AND PERFORMANCE DATA OF DUCT FANS

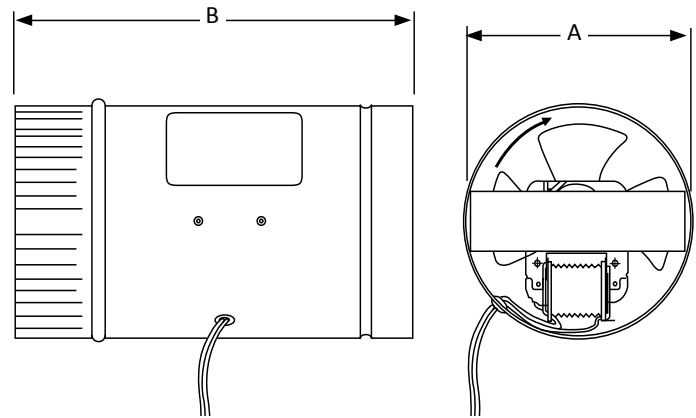
Model N.	CFM	Volts	Ampere	HP	Watts	RPM	Observations
MCM-4	60	120	0.25	1/400	13	3200	3.5" Dia. Plastic Fan Blade
MCM-5	70	120	0.27	1/400	16	3100	4.5" Dia. Plastic Fan Blade
MCM-6	240	120	0.53	1/150	23	3000	5.5" Dia. Plastic Fan Blade
MCM-8	420	120	1.00	1/100	38	3000	7.0" Dia. Plastic Fan Blade
MCM-10	650	115	0.55	1/125	35	1400	9.0" Dia. Plastic Fan Blade
MCM-12	1150	115	1.00	1/40	71	1550	11.0" Dia. Plastic Fan Blade
MCM-14	1500	115	1.00	1/40	71	1550	12.0" Dia. Plastic Fan Blade
DBM-SD	480	120	0.68	1/150	23	1550	5.5" Dia. Plastic Fan Blade



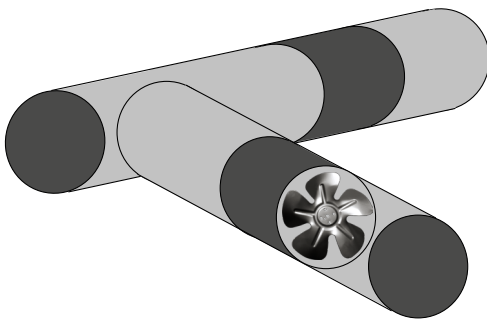
AIR DUCT WITH SHADED POLE OR PERMANENT SPLIT PHASE ELECTRIC SINGLE PHASE MOTORS

DIMENSIONS

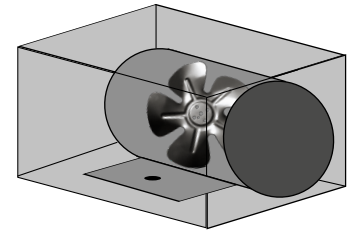
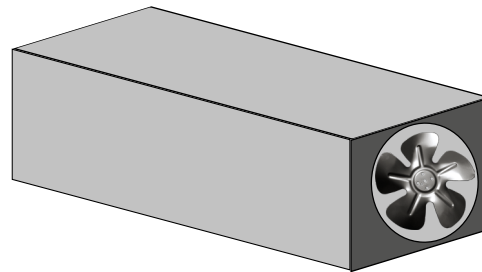
Model	A (Dia.)	B (Length)
MCM - 4	4.0	6.0
MCM - 5	5.0	7.5
MCM - 6	6.0	7.5
MCM - 8	8.0	7.5
MCM - 10	10.0	8.0
MCM - 12	12.0	9.0
MCM - 14	14.0	9.0



ROUND DUCTS

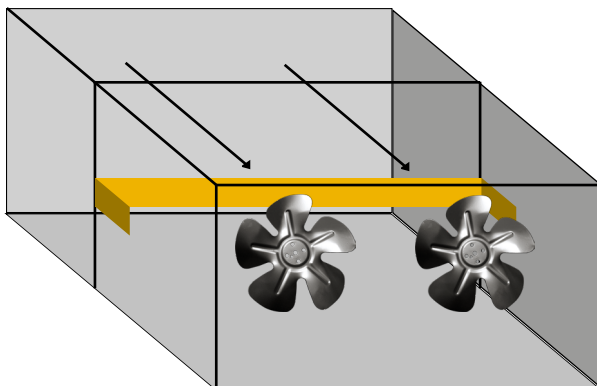


In air conditioning systems can help flow air more efficiently and deliver greater comfort to enclosed rooms.



SQUARE DUCTS

Can be installed in metallic or flexible ducts. Supplied with mounting instructions and mounting kit.



MODEL DBM-SD *XXX

Only available for square or rectangular ducts.

Supplied with adjustable support so as to install in 8" x 8", 8" x 10" or 8" x 12" ducts.

Two C-frame motors and plastic fan blades makes these units light and easy to install.



Ready to be installed following mounting instructions