



# IMESA

MAKER OF MCMILLAN  
FOUNDED 1965

## PRODUCT CATALOG

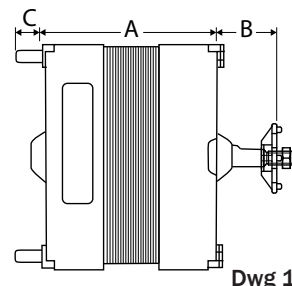


**FOR COMMERCIAL REFRIGERATION  
AND VENTILATION**

**Enclosure:** Open.  
**Service Factor:** 1.0  
**Work Ambient:** 40°C - 60°C  
**Bearings:** Sleeve bearing, or ball bearing.  
**Service:** Continuous Duty.  
**RPM:** 1550.  
**Mounting:** 2 or 3 or 4 studs on a 2.84" diameter.  
**Shaft Dimensions:** 5/16" diameter.  
**Leads:** #18 GA, 125°C, 600V.



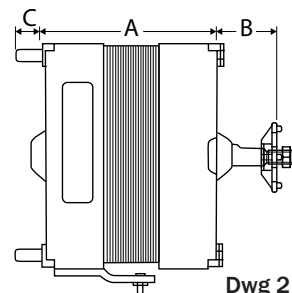
Fig. 1



Dwg 1



Fig. 2



Dwg 2

HP	Model	Voltage	Amp.	Rot.	A	B	C	Fig.	Dwg.	Protection
1/100	A/5	127	0.55	CCW	2.150	0.938	0.475	1	1	ZP or Aut.
	A/5E	127	0.55	CCW	2.150	0.938	0.475	2	2	ZP or Aut.
	A/5-2	220	0.26	CCW	2.150	0.938	0.475	1	1	ZP or Aut.
	A/5-2E	220	0.26	CCW	2.150	0.938	0.475	2	2	ZP or Aut.
	A/6	127	0.55	CW	2.150	0.938	0.475	1	1	ZP or Aut.
	A/6E	127	0.55	CW	2.150	0.938	0.475	2	2	ZP or Aut.
	A/6-2	220	0.26	CW	2.150	0.938	0.475	1	1	ZP or Aut.
	A/6-2E	220	0.26	CW	2.150	0.938	0.475	2	2	ZP or Aut.
1/70	B/5	127	0.77	CCW	2.275	0.938	0.350	1	1	ZP or Aut.
	B/5E	127	0.77	CCW	2.275	0.938	0.350	2	2	ZP or Aut.
	B/5-2	220	0.45	CCW	2.275	0.938	0.350	1	1	ZP or Aut.
	B/5-2E	220	0.45	CCW	2.275	0.938	0.350	2	2	ZP or Aut.
	B/6	127	0.77	CW	2.150	0.813	0.475	1	1	ZP or Aut.
	B/6E	127	0.77	CW	2.150	0.813	0.475	2	2	ZP or Aut.
	B/6-2	220	0.77	CW	2.150	0.813	0.475	1	1	ZP or Aut.
	B/6-2E	220	0.77	CW	2.150	0.813	0.475	2	2	ZP or Aut.
1/40	C/5	127	1.00	CCW	2.400	0.938	0.475	1	1	Aut.
	C/5E	127	1.00	CCW	2.400	0.938	0.475	2	2	Aut.
	C/5-2	220	0.51	CCW	2.400	0.938	0.475	1	1	Aut.
	C/5-2E	220	0.51	CCW	2.400	0.938	0.475	2	2	Aut.
	C/6	127	1.00	CW	2.400	0.813	0.475	1	1	Aut.
	C/6E	127	1.00	CW	2.400	0.813	0.475	2	2	Aut.
	C/6-2	220	0.51	CW	2.400	0.813	0.475	1	1	Aut.
	C/6-2E	220	0.51	CW	2.400	0.813	0.475	2	2	Aut.



### 3.3" Shaded Pole Motors

## FOR COMMERCIAL REFRIGERATION AND VENTILATION

**Enclosure:** Open.  
**Service Factor:** 1.0  
**Work Ambient:** 40°C - 60°C  
**Bearings:** Sleeve bearing, or ball bearing.  
**Service:** Continuous Duty.  
**RPM:** 1550.  
**Mounting:** 2 or 3 or 4 studs on a 2.84" diameter.  
**Shaft Dimensions:** 5/16" diameter.  
**Leads:** #18 GA, 125°C, 600V.

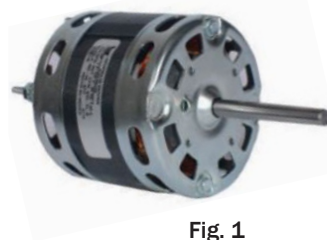
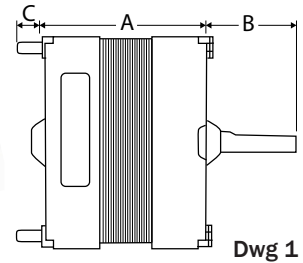


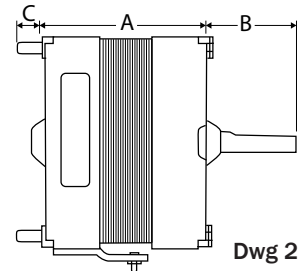
Fig. 1



Dwg 1



Fig. 2



Dwg 2

HP	Model	Voltage	Amp.	Rot.	A	B	C	Fig.	Dwg.	Protection
1/100	A/7	127	0.55	CCW	2.150	1.500	0.475	1	1	ZP or Aut.
	A/7E	127	0.55	CCW	2.150	1.500	0.475	2	2	ZP or Aut.
	A/7-2	220	0.26	CCW	2.150	1.500	0.475	1	1	ZP or Aut.
	A/7-2E	220	0.26	CCW	2.150	1.500	0.475	2	2	ZP or Aut.
	A/8	127	0.55	CW	2.150	1.500	0.475	1	1	ZP or Aut.
	A/8E	127	0.55	CW	2.150	1.500	0.475	2	2	ZP or Aut.
	A/8-2	220	0.26	CW	2.150	1.500	0.475	1	1	ZP or Aut.
	A/8-2E	220	0.26	CW	2.150	1.500	0.475	2	2	ZP or Aut.
1/70	B/7	127	0.77	CCW	2.275	1.500	0.350	1	1	ZP or Aut.
	B/7E	127	0.77	CCW	2.275	1.500	0.350	2	2	ZP or Aut.
	B/7-2	220	0.45	CCW	2.275	1.500	0.350	1	1	ZP or Aut.
	B/7-2E	220	0.45	CCW	2.275	1.500	0.350	2	2	ZP or Aut.
	B/8	127	0.77	CW	2.150	1.500	0.475	1	1	ZP or Aut.
	B/8E	127	0.77	CW	2.150	1.500	0.475	2	2	ZP or Aut.
	B/8-2	220	0.77	CW	2.150	1.500	0.475	1	1	ZP or Aut.
	B/8-2E	220	0.77	CW	2.150	1.500	0.475	2	2	ZP or Aut.
1/40	C/7	127	1.00	CCW	2.400	1.500	0.475	1	1	Aut.
	C/7E	127	1.00	CCW	2.400	1.500	0.475	2	2	Aut.
	C/7-2	220	0.51	CCW	2.400	1.500	0.475	1	1	Aut.
	C/7-2E	220	0.51	CCW	2.400	1.500	0.475	2	2	Aut.
	C/8	127	1.00	CW	2.400	1.500	0.475	1	1	Aut.
	C/8E	127	1.00	CW	2.400	1.500	0.475	2	2	Aut.
	C/8-2	220	0.51	CW	2.400	1.500	0.475	1	1	Aut.
	C/8-2E	220	0.51	CW	2.400	1.500	0.475	2	2	Aut.



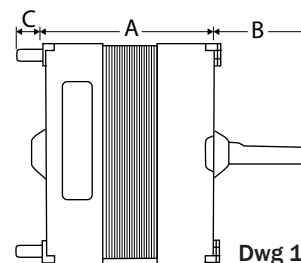
### 3.3" Shaded Pole Motors

## FOR COMMERCIAL REFRIGERATION AND VENTILATION

**Enclosure:** Closed air over.  
**Service Factor:** 1.0  
**Work Ambient:** 40°C - 60°C  
**Bearings:** Sleeve bearing, or ball bearing.  
**Service:** Continuous Duty.  
**RPM:** 1550.  
**Mounting:** 2 or 3 or 4 studs at 2.84" diameter.  
**Shaft Dimensions:** 5/16" diameter.  
**Leads:** #18 GA, 125°C, 600V.



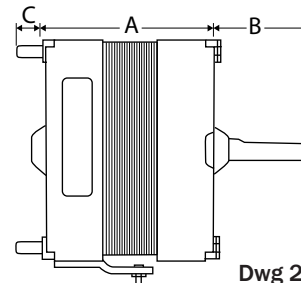
Fig. 1



Dwg 1



Fig. 2



Dwg 2

HP	Model	Voltage	Amp.	Rot.	A	B	C	Fig.	Dwg.	Thermal Protection
1/100	A/11	127	0.61	CCW	2.275	1.500	0.475	1	1	ZP or Aut.
	A/11E	127	0.61	CCW	2.275	1.500	0.475	2	2	ZP or Aut.
	A/11-2	220	0.30	CCW	2.275	1.500	0.475	1	1	ZP or Aut.
	A/11-2E	220	0.30	CCW	2.275	1.500	0.475	2	2	ZP or Aut.
	A/12	127	0.61	CW	2.275	1.500	0.475	1	1	ZP or Aut.
	A/12E	127	0.61	CW	2.275	1.500	0.475	2	2	ZP or Aut.
	A/12-2	220	0.30	CW	2.275	1.500	0.475	1	1	ZP or Aut.
	A/12-2E	220	0.30	CW	2.275	1.500	0.475	2	2	ZP or Aut.
1/70	B/11	127	0.61	CCW	2.275	1.500	0.350	1	1	ZP or Aut.
	B/11E	127	0.61	CCW	2.275	1.500	0.350	2	2	ZP or Aut.
	B/11-2	220	0.30	CCW	2.275	1.500	0.350	1	1	ZP or Aut.
	B/11-2E	220	0.30	CCW	2.275	1.500	0.350	2	2	ZP or Aut.
	B/12	127	0.61	CW	2.275	1.500	0.350	1	1	ZP or Aut.
	B/12E	127	0.61	CW	2.275	1.500	0.350	2	2	ZP or Aut.
	B/12-2	220	0.30	CW	2.275	1.500	0.350	1	1	ZP or Aut.
	B/12-2E	220	0.30	CW	2.275	1.500	0.350	2	2	ZP or Aut.
1/40	C/11	127	1.00	CCW	2.650	1.500	0.475	1	1	Aut.
	C/11E	127	1.00	CCW	2.650	1.500	0.475	2	2	Aut.
	C/11-2	220	0.51	CCW	2.650	1.500	0.475	1	1	Aut.
	C/11-2E	220	0.51	CCW	2.650	1.500	0.475	2	2	Aut.
	C/12	127	1.00	CW	2.650	1.500	0.475	1	1	Aut.
	C/12E	127	1.00	CW	2.650	1.500	0.475	2	2	Aut.
	C/12-2	220	0.51	CW	2.650	1.500	0.475	1	1	Aut.
	C/12-2E	220	0.51	CW	2.650	1.500	0.475	2	2	Aut.

Other shaft dimensions available upon request



### 3.3" Shaded Pole Motors

## FOR COMMERCIAL REFRIGERATION AND VENTILATION

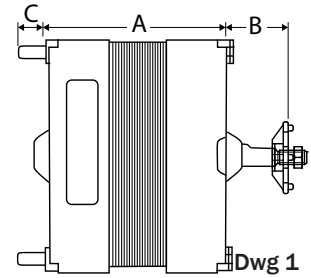
**Enclosure:** Closed air over.  
**Service Factor:** 1.0  
**Work Ambient:** 40°C - 60°C  
**Bearings:** Sleeve bearing, or ball bearing.  
**Service:** Continuous Duty.  
**RPM:** 1550.  
**Mounting:** 2 or 3 or 4 studs at 2.84" diameter.  
**Shaft:** Coupling.  
**Leads:** #18 GA, 125°C, 600V.



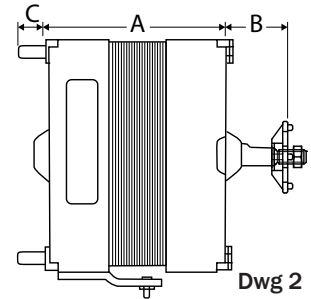
Fig. 1



Fig. 2



Dwg 1



Dwg 2

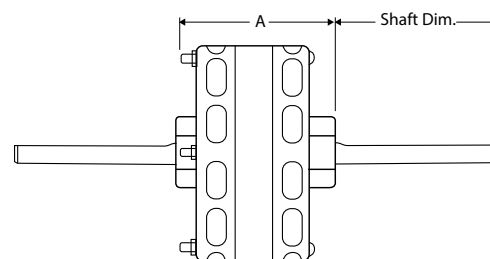
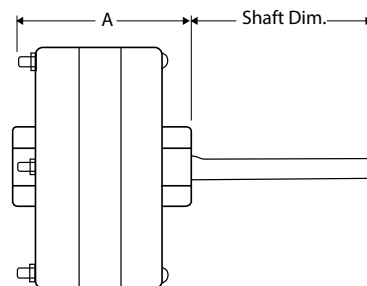
HP	Model	Voltage	Amp.	Rot.	A	B	C	Fig.	Dwg.	Thermal Protection
1/100	A/9	127	0.61	CCW	2.150	0.813	0.400	1	1	ZP or Aut.
	A/9E	127	0.61	CCW	2.150	0.813	0.400	2	2	ZP or Aut.
	A/9-2	220	0.30	CCW	2.150	0.813	0.400	1	1	ZP or Aut.
	A/9-2E	220	0.30	CCW	2.150	0.813	0.400	2	2	ZP or Aut.
	A/10	127	0.61	CW	2.275	0.938	0.350	1	1	ZP or Aut.
	A/10E	127	0.61	CW	2.275	0.938	0.350	2	2	ZP or Aut.
	A/10-2	220	0.30	CW	2.275	0.938	0.350	1	1	ZP or Aut.
	A/10-2E	220	0.30	CW	2.275	0.938	0.350	2	2	ZP or Aut.
1/70	B/9	127	0.61	CCW	2.275	0.938	0.350	1	1	ZP or Aut.
	B/9E	127	0.61	CCW	2.275	0.938	0.350	2	2	ZP or Aut.
	B/9-2	220	0.30	CCW	2.275	0.938	0.350	1	1	ZP or Aut.
	B/9-2E	220	0.30	CCW	2.275	0.938	0.350	2	2	ZP or Aut.
	B/10	127	0.61	CW	2.150	0.938	0.350	1	1	ZP or Aut.
	B/10E	127	0.61	CW	2.150	0.938	0.350	2	2	ZP or Aut.
	B/10-2	220	0.30	CW	2.150	0.938	0.350	1	1	ZP or Aut.
	B/10-2E	220	0.30	CW	2.150	0.813	0.350	2	2	ZP or Aut.
1/40	C/9	127	0.88	CCW	2.650	0.813	0.450	1	1	Aut.
	C/9E	127	0.88	CCW	2.650	0.813	0.450	2	2	Aut.
	C/9-2	220	0.45	CCW	2.650	0.813	0.450	1	1	Aut.
	C/9-2E	220	0.45	CCW	2.650	0.813	0.450	2	2	Aut.
	C/10	127	0.88	CW	2.650	0.813	0.450	1	1	Aut.
	C/10E	127	0.88	CW	2.650	0.813	0.450	2	2	Aut.
	C/10-2	220	0.45	CW	2.650	0.813	0.450	1	1	Aut.
	C/10-2E	220	0.45	CW	2.650	0.813	0.450	2	2	Aut.



4 & 6 POLES

## 5" DIAMETER SHADED POLE

**Type:** For General Ventilation.  
**Frequency:** 50/60 Hz.  
**Rotation:** CW, CCW or both.  
**Shaft Material:** C.R.S.  
**Enclosure:** Open.  
**Thermal Protection:** Automatic.  
**Work Ambient:** 40 °C.  
**Bearing:** Sleeve.  
**Service:** Continuous, air over.



Model	HP	RPM	Volts	Amp.	Shaft	Shaft Dia.	A	Mounting	Replaces
6125-261/180	1/8	1050	115	4.50	Single	1/2 x 4	3 3/16	Belly Band	Packard (40180)
6125-261/93	1/6	1050	115	6.60	Single	1/2 x 4 1/2	3 7/8	Resilient Rings	Packard (40166)
6125-261/122	1/10	1050	115	3.60	Double	10 5/8 x 3/8 x 105/8	3 5/8	Resilient Rings	Packard (40093)
6125-261/90	1/15	1050	115	3.10	Single	1/2 x 2 5/8	3 5/8	Stud & Mounting Rings	Packard (40387)
6125-261/88	1/20	1050	115	2.30	Single	1/2 x 3	3 7/8	Stud	Packard (70224)
4125-261/153	1/8	1050	115	3.30	Double	10 x 1/2 x 10	4.000	Hex Hubs	Packard (40347)
4125-319/16	1/10	1050	115/230	4.0/2.0	Single	3/8 x 2 1/4	4.920	Resilient Base	Mars (10615)
4125-319/15	1/20	1050	115/230	3.8/1.9	Single	3/8 x 2 1/4	4.920	Resilient Base	Mars (10611)
J6125-319/12	1/10	1050	115-208/230	4.0/2.0	Single	3/8 x 2 3/4	4.920	Resilient Rings	Mars (10609)
6125-319/13	1/5	1050	115	4.0	Single	1/2 x 5.850	3.810	Flex Mount	Mars (10815)
6125-319/17	1/6	1050	115	5.8	Single	1/2 x 3 7/8	3.670	Resilient Rings	Mars (10809)

## UNIT BEARING MOTOR 3.3" DIAMETER

Single phase, induction motor, squirrel cage rotor, 4 poles, hardened steel shaft and special long life lubrication system.

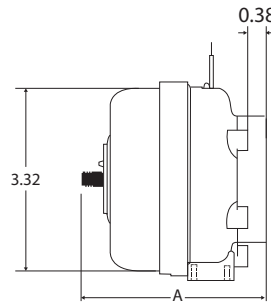
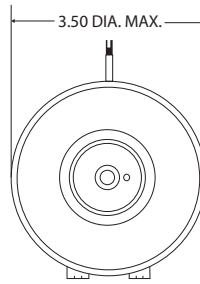
Applications: commercial and domestic refrigeration, air conditioning, ventilating, heating and other application for air movement. Air Over.

Temperature: -50 °C to 85 °C.

Voltage: 127 V, 220 V.

Frame: Aluminum casing.

Service: Continuous.



Model	Voltage	Power	Ampers	Rotation	Thermal Protection	RPM	Industry Reference	A
483-4L-UB/1	127	2W	0.4	CWLE	ZP	1550	Morril: SPB2EM1; Emerson: 102; G.E.: UEM1021, 5109	3.62
483-4L-UB/2	127	6W	0.5	CWLE	ZP	1550	Morril: SPB6EM1, SPB6EMR1; Emerson: 117; G.E.: 5311, 5312, 5213.	3.62
483-4L-UB/3	127	9W	0.7	CWLE	PT	1550	Morril: SPB9EM1, SPB9EMR1; Emerson: 108 #5991; G.E.: 5411,5112, 5413, 5KSM81FFL0017	3.75
483-4L-UB/4	127	16W	1	CWLE	PT	1550	Morril: SPB16EM1, SPB16EMR1; Emerson: 112; G.E.: 5821,5822.	4.00
483-4L-UB/11	220	2W	0.2	CW	ZP	1550		3.62
483-4L-UB/12	220	6W	0.25	CW	ZP	1550		3.62
483-4L-UB/13	220	9W	0.35	CW	PT	1550	Morril: SPB9EM2, SPB9EMR2; Emerson: 109; G.E.:5811, 5812.	3.75
483-4L-UB/14	220	16W	0.5	CW	PT	1550	Morril: SPB16EM2, SPB16EMR2; Emerson: 109; G.E.: 5821,5822.	4.00

## SKELETON, TYPE C, FOR VENTILATION CONDENSERS

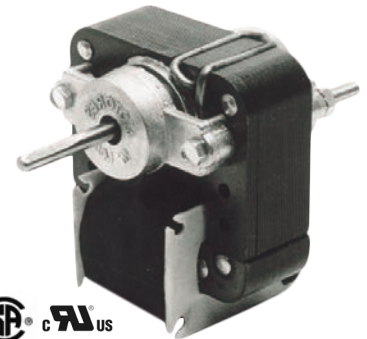
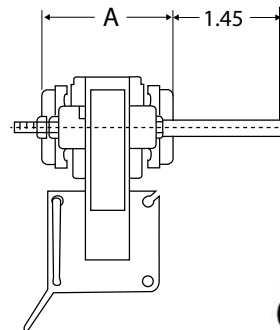
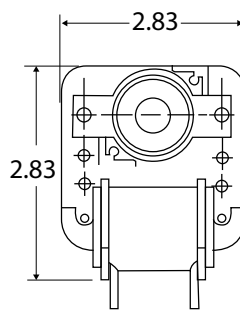
Applications: Commercial and domestic, refrigeration in electronic assemblies, replace on other condenser motors.

Rotation: CCW and CW.

Voltage: 120 V, 127 V and 220 V.

Protection: TP or ZP.

Ambient Temperature: -10 °C to 65 °C.



Model	Stack	HP	Watts	Amperes	Industry Reference	A
A264	3/8"	1/750	1	0.4		1.6"
B264	1/2"	1/500	1.5	0.5	Gem-EM550, EM336; EM678, EM334 Supco-SM550; Robertshaw-VFM-100, VFM-106, 14015, Broan-10940969.	1.7"
C264	5/8"	1/200	3.5	0.7	Gem-EM555, EM336; EM677, EM670, EM671, EM679, EM691, EM692, EM335, EM 673 Supco-SM555; BOHN-5007S, 5007T Robertshaw-VFM-104 UPCO-85, 1.86.	1.8"
D264	3/4"	1/150	5	0.8	Gem-EM552, EM553; Supco-SM552; SM553; Robertshaw-VFM-103, VFM-104; Broan-30080072.	1.9"
E264	7/8"	1/100	7.5	1.1	Gem-EM551, EM554; Supco-SM551; SM554; Robertshaw-VFM-101, VFM-105; Broan-10940056.	2"
G264	1 1/8"	1/70	10	1.3	Gem-EM680, EM683; Robertshaw-14019, Acme-750.	2.3"
H264	1 1/4"	1/50	15	1.6		2.4"
J264	1 1/2"	1/40	19	1.9		2.7"

## FAN MOTOR KIT

**Applications:**

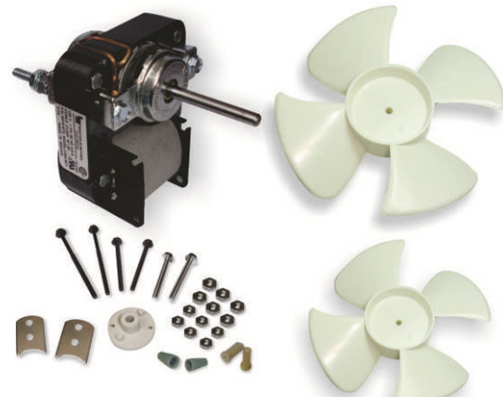
Evaporator, ventilators, exhaust fans,  
Refrigerators, unit heaters, and range hoods.

**Features:**

Shaded pole motor  
Mechanically reversible  
Rotation is determined viewing the shaft end  
Sleeve Bearings

**Replaces**

Acme	600, Acme 700, Acme 710.
Gemline	EM670, EM690, EM672, EM675.
Robertshaw	14001, 14005, 14007.



**KIT MCM-670**



Model	Stack size (IN)	Volts	RPM	AMPS	Rotation	Shaft Dim. (IN)
MCM-670	5/8	115	3000	0.5	CW	3/16 x 15/16



**Applications:** Commercial and domestic refrigeration condenser, electronic and electrical equipment, used in gear motors and general ventilation.

**Features:**

Sintered bronze bearing.

10 - 32 mounting threaded holes.

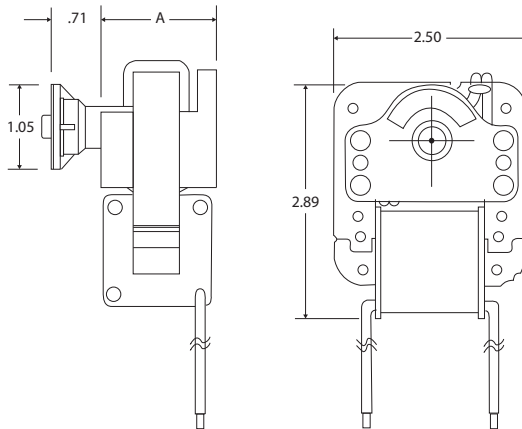
115 V or 230 V or 115/230 V.

Leads: 12" length.

Special lubrication system for long life.



MOTOR UNIT BEARING "C" FRAME 10



MOTOR UNIT BEARING "C" FRAME 11

Frame	Model	MHP	RPM	Volts	HZ	AMPS	Watts	"A"	4" AA	4.19" AA
10	1075-08-3423	1.5	3000	115	50/60	.21	12	1.42"	55	70
10	1075-10-3038	3.0	3000	115	50/60	.24	16	1.55"	55	75
10	1075-10-3495	3.0	3000	230	50/60	.12	16	1.55"	55	75
10	1075-10-3528	3.0	3000	115	50/60	.24	16	1.55"	55	75
10	1075-10-3534	3.0	3000	115	60	.24	16	1.55"	55	75
11	1175-06-4316	1.5	1800	115	50/60	.20	11	1.00"	50	65
11	1175-08-4334	3.0	3000	115	50/60	.22	12	1.42"	55	75
11	1175-10-4311	5.0	3000	115	50/60	.29	16	1.43"	60	115
11	1175-12-4194	6.0	3000	115	50/60	.30	20	1.67"	60	120
11	1175-16-4708	7.0	3000	115	50/60	.30	20	1.92"	60	120
11	1175-16-4186	8.0	3000	115	50/60	.37	23	1.92"	60	120

Replacement for  
Walk-in cooler  
Evaporator fans

50% more efficient than shaded pole motors

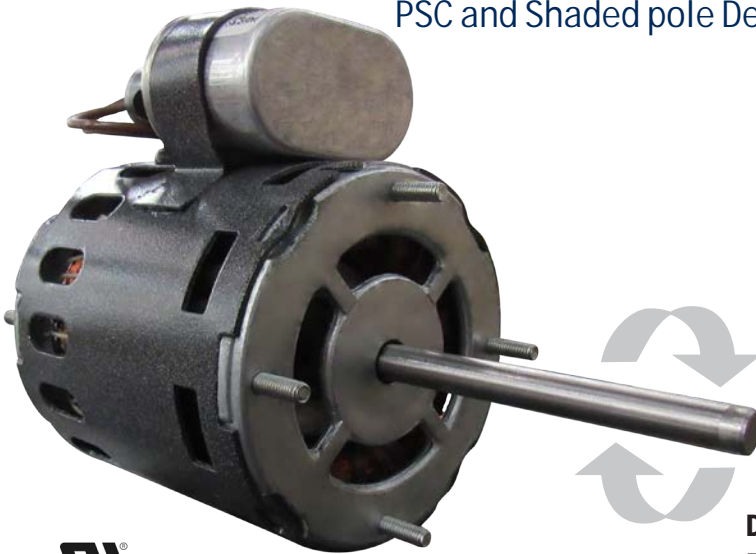
**ENERGY SAVINGS PSC DESIGN**

**3-in-1 Motor**

Replaces 1/12, 1/15, 1/20 HP  
PSC and Shaded pole Designs

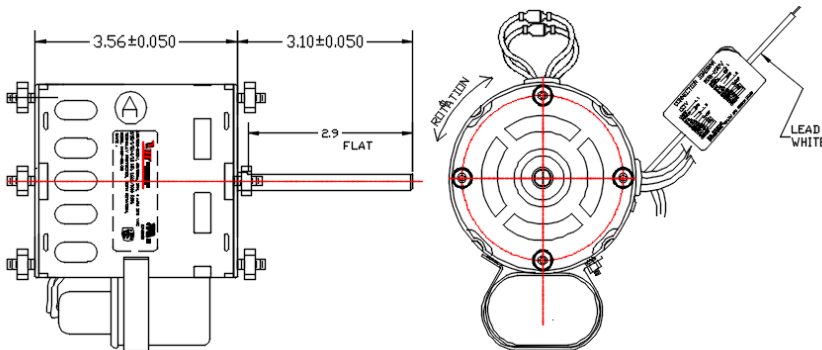
**Features**

- Class B insulation
- 40° C Ambient
- 60/50 Hz
- Connection diagram attached to White lead wire, for easy connection
- Reversible plug for easy rotation change
- Nuts both sides for quick mounting
- UL and CSA



**Direct replacement for:**  
Bohn, Nutone, Chandler, Larking, Kramer  
Climate Control, McQuay, Heatcraft and more

**DIMENSIONS**



**REFERENCES**

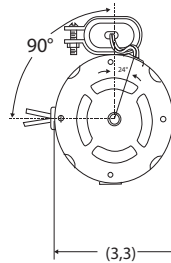
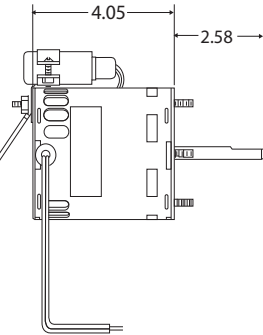
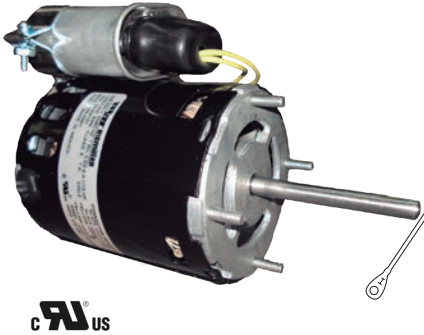
A.O. Smith	9721
Emerson	9650, 9651, 9652, 9656, 9664
Fasco	D1127, D1101, D1103, D1122, D1123, D1124, D1125, D1126, D1152, D1154, PD1125, PD1127, 7163-2113, 7163-3371, 7190-0442, 7190-2084, 7190-2055, 7190-2285, 7190-2969
GE	5KSM59ES2001, 5KSM59JSK143S, 5KSM59JS5036S, 5KSM59LS226AS
OEM Part	253086601, 25309101, 2531194, 2531195, 7071061

**ELECTRIC FEATURES**

Model	HP	Volts	Amps	RPM	Shaft dia & length	Speeds	Rotation
410/18	1/12, 1/15, 1/20	115/208-230	1.55/0.63	1625	5/16 x 3 1/8	1	Rev.

**PERMANENT SPLIT CAPACITOR  
4 AND 2 POLES**

**FRIGUS BOHN DIRECT REPLACEMENT**



**Features**

- Bearing:** Sleeve bearing or ball bearing.
- Frequency:** 60/50 Hz.
- Rotation:** Reversible.
- Leads:** 125 °C, #18 A.G. 54" length.
- Duty:** Continuous.
- Shaft:** CRS. 5/16.
- Thermally Protected.**

Model	Voltage	HP	Frecuency	Watts	AMPS	RPM	Industry Reference	Shaft
429-458/1	208-230	1/15	50/60	50	0.5/0.6	1550	AO SMITH 990, 991 FASCO: D404, D405.	5/16 x 5.56

**STANDARD 3.3" DIAMETER**

**AC motor, subfractional, asynchronous, one phase, 2 and 4 poles, squirrel cage rotor.**

**Frame:** Steel casing CRS and zinc covers.

**Application:** Commercial and domestic refrigeration, ventilating, type bohn motor substitute.

**Bearing:** Ball bearings.

**Voltage:** 127 V, Optional 110, 115, 120, 220, 230 V.

**Frecuency:** 50 HZ or 60 HZ.

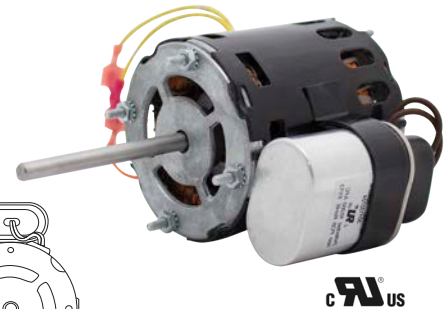
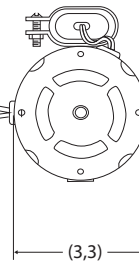
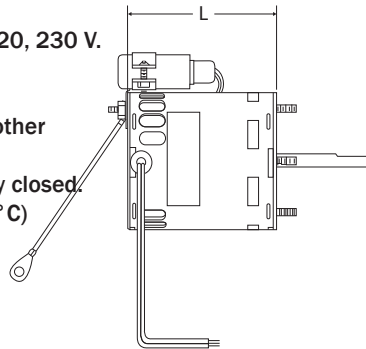
**Rotation:** CW or CCW or both.

**Lead ends:** AWG #18 A.G, 12" length and other lengths.

**Service:** Continuous, open, available totally closed.

**Isolation Type:** Class B or F. (135 °C or 150 °C)

**Thermally protected.**



Model	HP	Watts	Amperes	RPM	L
229-410/70	1/60	25	0.5	3250	3.55"
229-410/71	1/30	52	0.8	3250	3.55"
229-410/72	1/15	95	1.0	3250	4.05"
229-410/73	1/10	136	1.2	3250	4.05"
229-410/74	1/6	226	1.5	3250	4.60"
429-410/80	1/60	25	1.0	1625	3.55"
429-410/81	1/30	52	1.6	1625	3.55"
429-410/82	1/15	95	2.0	1625	4.05"
429-410/83	1/10	136	2.4	1625	4.05"
429-410/84	1/6	226	3.0	1625	4.60"

## 42 FRAME MOTOR

**Applications:** Air movement, ventilation or equipment, like welds, fans, and in general ventilation.

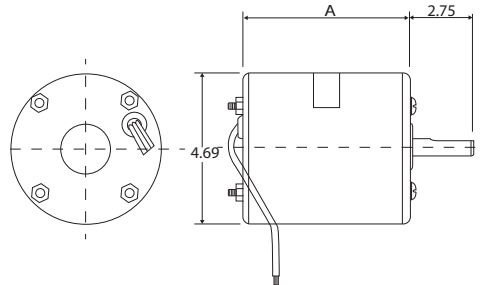
**Frequency:** 60 HZ.

**Rotation:** CW or CCW or both.

**Terminal cables:** AWG #18, various lengths.

**Insulation Class:** "B".

**Protection:** Thermal.



Model	HP	Watts	AMP	RPM	A	
					IN	MM
A-642	1/2	36	1.0	1075	4.0	102
B-642	1/15	50	1.5	1075	4.0	102
C-642	1/10	75	2.0	1075	4.5	114
D-642	1/8	90	2.4	1075	4.5	114
E-642	1/6	125	2.8	1075	4.8	121
F-642	1/4	190	3.2	1075	5.5	140
A-442	1/20	36	1.1	1600	4.0	102
B-442	1/15	50	1.3	1600	4.0	102
C-442	1/10	75	1.5	1600	4.3	108
D-442	1/8	90	1.8	1600	4.5	114
E-442	1/6	125	2.2	1600	4.8	121
D-442	1/4	190	2.50	1600	5.0	127



5 5/8 inch Diameter

## CONDENSER FAN MOTORS

### Applications

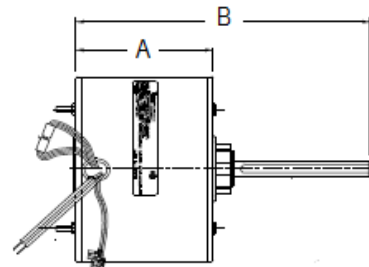
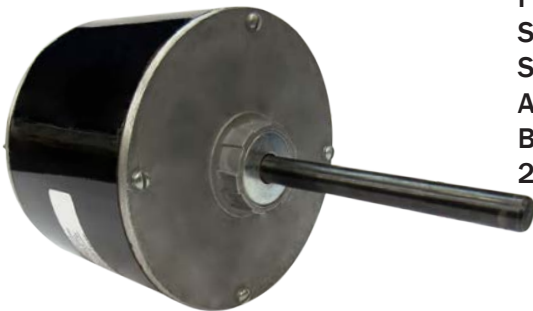
Condenser fans and heat pump units. Vertical shaft up or vertical shaft down position. Mounting with “Belly band” or threaded thru bolts.

### Features

All purpose  
 Standard efficiency designs  
 Permanent split capacitor  
 Single speed  
 Single phase  
 Automatic overload protection  
 Ball bearing construction  
 26 inches motor leads

### During manufacturing

IMESA motors are 100% functionally tested and insulation verification (hi pot), and continuity



HP	Model	Volts	Amps	RPM	Cap. Required	Frequency	Rotation	Enclosure	A (in)	B (in)
1/4	648-410/30	208-230	1.8	1075	5 mfd 370V	50/60	Reversible	Closed	4.37	9.37
1/3	648-410/40	208-230	2.1	1075	5 mfd 370V	50/60	Reversible	Closed	4.62	9.62
1/2	648-410/50	208-230	3.6	1075	10 mfd 370V	60	Reversible	Closed	5.14	10.14
3/4	648410/60	208-230	4.4	1075	12.5 mfd 370V	60	Reversible	Closed	5.62	10.62

### CROSS REFERENCE GUIDE

HP	IMESA	TRADE PRO	WAGNER	EMERSON	AO SMITH	FASCO	GE	MARATHON	DAYTON
1/4	648-410/30	TPC251SP2	WG840728	1860	FSE1026S	D909	3728	X412	4M205
1/3	648-410/40	TPC331SP2	WG840729	1861	FSE1036S	D908	3729	X413	4M206
1/2	648-410/50	TPC501SP2	WG840730	1862	FSE1056S	D907	3730	X414	4M207
3/4	648410/60	TPC751SP2	WG840731	1868	FSE1076S	D933	3731	X095	4M208

### Cross reference guide lines

- Horsepower must be within +/- 10% of OEM'S
- Replacement motor voltage must match OEM exactly
- Speed should be within +/- 10% of OEM'S
- Capacitor value should match value on replacement motor label



Belly Band  
 Accessories:70257



**PSC Motors, 6 Pole**

**5 5/8" DIAMETER**

**CONDENSER FAN MOTOR MULTI SPEED**

**Features:**

**Voltage:** 208-230 V.

**Frequency:** 60 Hz.

**Rotation:** CW or CCW.

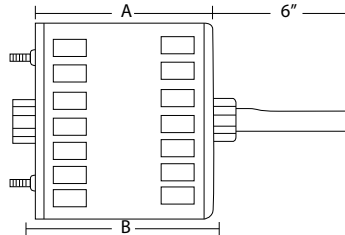
**Shaft Material:** CRS, 1/2" diameter,

**Construction:** Open.

**Over Load Protection:** Automatic.

**Class Insulation:** B.

**Service Duty:** Continuous air over.



Model	HP	RPM	AMPS	A		B		Suggested Capacitor
				IN	MM	IN	MM	
648-VC1	1/4	1100	1.7	4 3/8	111	4.9	125	5 mfd
648-VC2	1/3	1100	2.9	4 5/8	117	5.2	132	5 mfd
648-VC3	1/2	1100	3.0	5 7/8	149	6.4	163	7.5 mfd
648-VC4	3/4	1100	4.3	6 5/8	168	7.2	183	10 mfd

**FAN COIL AIR CONDITION MOTOR**

**Features:**

**Frequency:** 60 Hz.

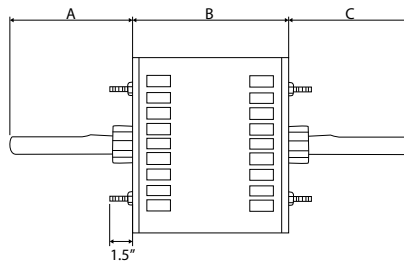
**Rotation:** CW, CCW and both rotation.

**Shaft Material:** CRS, 1/2" diameter.

**Construction:** Open.

**Class Insulation:** B.

**Service Duty:** Continuous air over.



Model	A		B		C	
	IN	MM	IN	MM	IN	MM
648-AC1	9	229	3 5/8	92	7.5	191
648-AC2	9	229	3 5/8	92	7.6	193
648-AC3	8 1/2	216	4 1/8	105	7.5	191
648-AC4	8 1/2	216	4 5/8	117	8.5	216
648-AC5	8	203	5 3/8	137	8.0	203
648-AC6	7 5/8	194	6 1/8	156	7 5/8	194

Model	Powered	Volts	AMPS	Suggested Capacitor	Bearings	RPM
648-AC1	1/6, 1/10, 1/12	115	2.3	5 mfd	Chumacera	1100/3 1100/3
648-AC2	1/6, 1/8, 1/10	208-230	1.2	5 mfd	Chumacera	1100/3
648-AC3	1/4, 1/6, 1/8	208-230	1.9	5 mfd	Chumacera	1100/3
648-AC4	1/3, 1/4, 1/6	208-230	3.2	5 mfd	Chumacera	1100/3
648-AC5	1/2, 1/3, 1/4	208-230	3.6	10 mfd	Balero	1100/3
648-AC6	3/4, 1/2, 1/3	208-230	5.6	12 mfd	Balero	1100/3

## 48 FRAME MOTORS

### "C" FACE MOTORS

**Application:** For general purposes, condensers, pumps and general plant uses.

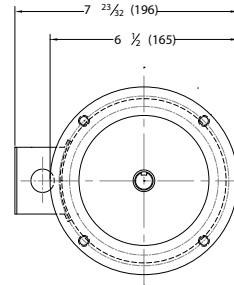
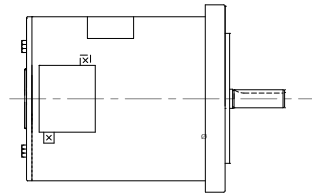
**Special Features:**

**Rotation:** Both, 3 phases.

**Lead wire:** AWG 18, with different lengths.

**Class "F" insulation.**

**Thermally protected.**



Model	HP	Volts	Frequency
248-STC/8	1/4	220/440	60
248-STC/9	1/3	220/440	60
248-STC/10	1/2	220/440	60
248-STC/11	3/4	220/440	60
648-STC/12	1/4	220/440	60
648-STC/13	1/3	220/440	60

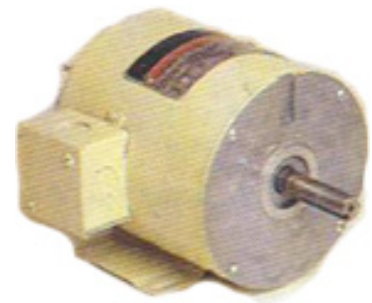
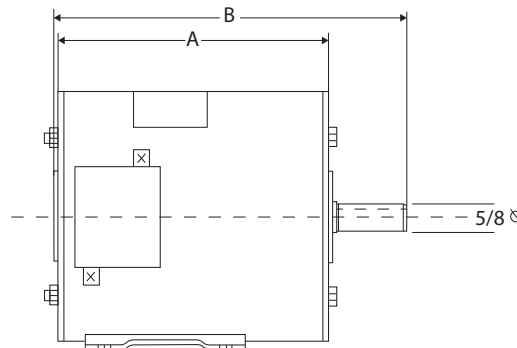
### GENERAL 48 FRAME MOTOR

**Features:**

Fractional HP, open and enclosed construction, 3 phase, with base or footless, C-face mount or D-flange mount extended both mounting.

**Voltage:** 220/440 V.

**Frequency:** 50 or 60 HZ.



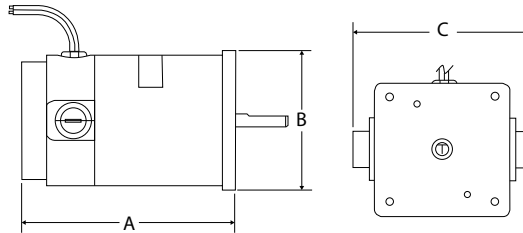
Model	HP	Poles	A	B
448 ST/1	1/4	4	5 7/8	8
448 ST/2	1/3	4	6 3/8	8 1/2
448 ST/3	1/2	4	7 3/8	9 1/2
248 ST/8	1/4	2	5 7/8	8
248 ST/9	1/3	2	5 7/8	8
248 ST/10	1/2	2	7 3/8	9 1/2
248 ST/11	3/4	2	7 3/8	9 1/2
648 ST/12	1/4	6	5 7/8	8
648 ST/13	1/3	6	7 3/8	9 1/2

**Applications:** Gears, Pumps Motors , Valves Control, Fans, Chimney Blowers, Humidifiers, Hood Extractors, Autos, etc.

**Construction Frame Protection:** IP50  
**Stock – Small PMDC Division**

**\*Note: Special specifications can be included upon request.**

### MOTOR CD 2.5"

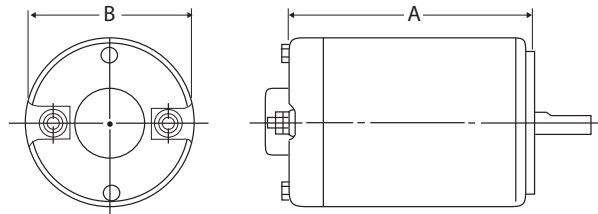


### MOTOR CD 3.0"



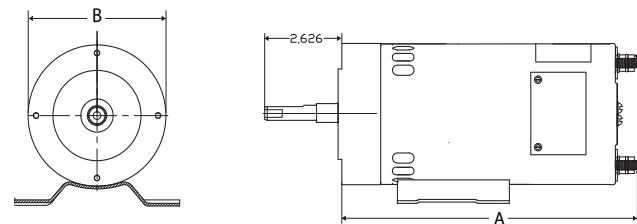
Model	Voltage	Current	Torque	HP	RPM	Class	Efficiency	A	B	C
CD25-086A	12	4.3	12.0 OZ-IN	0.03	3000	F	52	3.9	2.5	3.4
CD25-086B	24	2.7	12.0 OZ-IN	0.03	3000	F	41	3.9	2.5	3.4
CD25-0099	24	4.01	28 OZ-IN	0.1	3000	F	75	4.16	2.5	3.4
CD25-0082	90	0.35	8.5 OZ-IN	0.02	3000	F	60	4.7	2.5	3.4
CD30-0100	24	9.8	56 OZ-IN	0.23	4000	F	70	6	3.145	3.75
CD30-0101	90	0.6	56 OZ-IN	0.07	1200	B	92	6	3.145	3.75
CD30-0079	12	12.5	65 OZ-IN	0.14	2200	F	71	66	3.145	3.75
CD30-0020	115	2.3	118 OZ-IN	0.25	2100	F	69	7.8	3.145	3.75
CD30-0126	12	24	118 OZ-IN	0.25	2100	F	64	7.8	3.145	3.75

### MOTOR CD 4.0"



Model	Voltage	Current	Torque	HP	RPM	Class	Efficiency	A	B
CD40-0094	12	45	95 OZ-IN	0.5	3100	F	70	10.13	4.5

### MOTOR CD 4.2"



Model	Voltage	Current	Torque	HP	RPM	Class	Efficiency	A	B
CD42-0094	24	7.6	95 OZ-IN	1/6	1700	F	66	6.8	4.69
CD42-0132	12	31	190.5 OZ-IN	1/3	1800	F	68	12	4.69
CD42-0133	27	15	190.5 OZ-IN	1/3	1800	F	70	12	4.69

### Specifications:

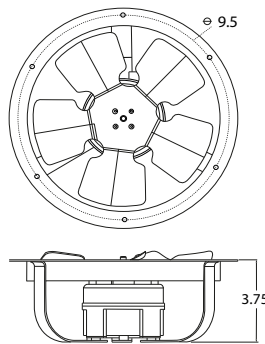
Applications for Electric Commutated Motors (ECM) Brushless DC Motors.

The axial fan with constant speed allows continuous flow (CFM) at any speed ranging from 500 RPM to 4000 RPM. Additional devices can be supplied to select the desired speed depending on different applications.

### Types of blades:

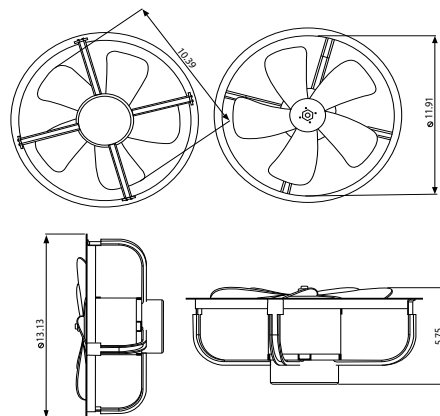
The following chart shows the blade specifications (diameter, bore diameter, and matching watt motor).

**Note: Special specification requirements can be developed and made upon request.**



Power	Fan Blade (DIA.)	Bore	Blades
5 W	6"	5/16	4
12 W	8"	5/16	5
16 W	8"	5/16	5
25 W	8"	5/16 3/8	5

PERFORMANCE SPECIFICATION (SP=0)						
Model	Voltage	Power	Speed (RPM)	Current	CFM	Efficiency
EC33-C25A	115 V	25 W	2200	0.65A	425	68%
EC33-C25B	115 V	25 W	1800	0.45A	350	62%



Power	Fan Blade (DIA.)	Bore	Blades
35 W	10"	5/16 - 3/8	5
50 W	13"	5/16 - 3/8	5

PERFORMANCE SPECIFICATION (SP=0)						
Model	Voltage	Power	Speed (RPM)	Current	CFM	Efficiency
EC33-C50	115 V	50 W	1500	0.601	780	72%
EC33-C50A	115 V	50 W	1400	0.501	750	70%
EC33-D50	230 V	50 W	1500	0.301	780	72%

**Constant and variable speed applications:**

Thanks to electronics our small motors have the capability to manage high efficiencies ranging in the mid 60's%.

Typical applications for these types of motors are on precise equipment, commonly found in commercial or domestic refrigeration, air conditioning, heating and any air movement application. We can supply motors with multiple functions with our hardware/software devices and can change speed by external inputs. Our drives can handle analogical inputs to modify the behavior of the motor.

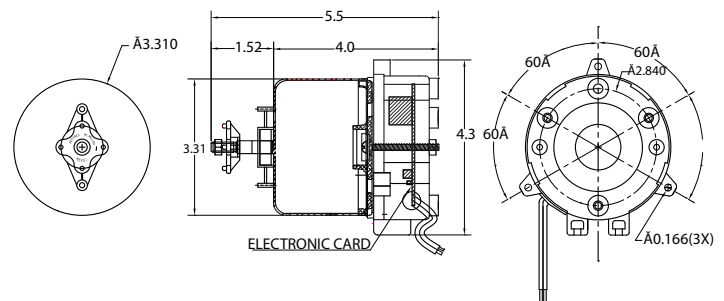
**Work Environment:**

**.Ball bearings:**

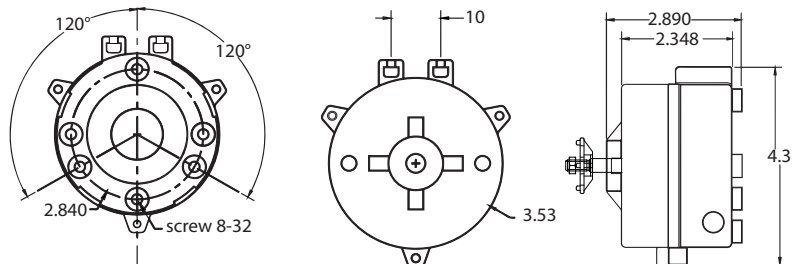
We use different types of lubrication to properly operate at high and low temperatures, depending on the application requirements and can manage ball bearing or auto-aligning sleeve bearing.

**Neodymium or ferrite permanent magnet rotors:**

We can use different types of magnets, depending on the required efficiency and application needs.



Model	Voltage	Current	HP	RPM	Frame	Class	Protection Device	Efficiency
EC33-A35	115	0.9	35W	1550	3.3	B	TP	67%
EC33-B35	230	0.5	35W	1550	3.3	B	TP	68%
EC33-A50	115	1.2	50W	1550	3.3	B	TP	70%
EC33-B50	230	0.6	50W	1550	3.3	B	TP	72%
EC33-A65	115	1.3	65W	1550	3.3	B	TP	74%
EC33-B65	230	0.75	65W	1550	3.3	B	TP	74%



Model	Voltage	Current	HP	RPM	Frame	Class	Protection Device	Efficiency
EC33-A05	115	0.2	5W	1550	3.3	B	TP	65%
EC33-B05	115	0.3	9W	1550	3.3	B	TP	66%
EC33-A09	230	0.15	9W	1550	3.3	B	TP	66%
EC33-B09	115	0.3	12W	1550	3.3	B	TP	68%
EC33-A12	115	0.4	16W	1550	3.3	B	TP	68%
EC33-B12	230	0.2	16W	1550	3.3	B	TP	68%
EC33-A16	115	0.5/0.75	25W	1800-2200	3.3	B	TP	65%
EC33-B16	230	0.25/0.4	25W	1800-2200	3.3	B	TP	65%

## SINGLE-PHASE SANDERS

### 1/2 HP BELT SANDER

**Applications:** Ideal for rounding, chamfering or squaring flat surfaces on materials like wood steel or plastic. Souder supplied with base mounted on/off switch. Supplied with number 18 grain belt souder.

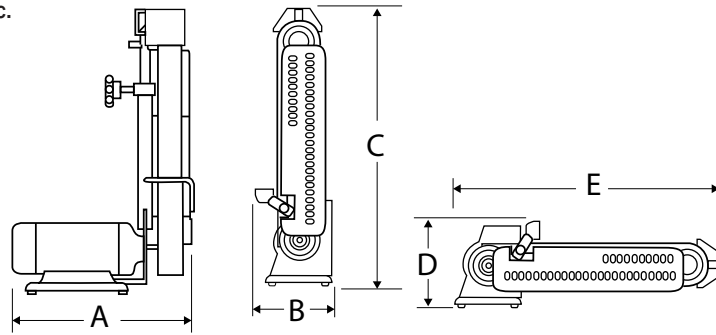
**Sanding Speed:** Approximately 1820 meter per minutes allows for faster quieter sanding process.

**Features:**

Ball bearings.

Two working positions.

Steel guarder included to protect the belt and operator.



Model	Dimensions.	A	B	C	D	E
LH-122-1	MM	381	254	648	267	622
	IN	15	10	25 1/2	10 1/2	24 1/2
	HP	Volts	HZ	Poles	RPM	Weight
	1/2	127	60	2	3440	25 kg

### 1/2 HP GRINDER AND BELT SANDER

**Applications:** Multiple uses, ideal for rounding, chamfering or squaring flat surfaces. Double service.

**Features:**

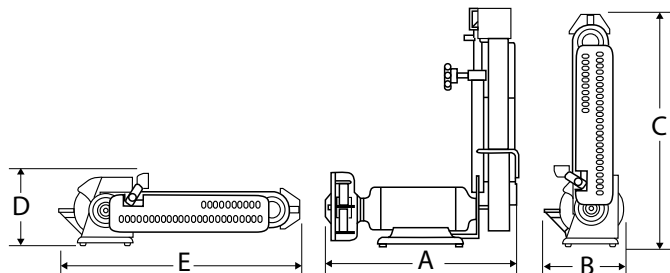
Ball bearings.

**Housing:** Steel painted red steel guard included to protect the belt and operator.

Number 80 grade sanding material 2" with x 48" long.

**Sanding Speed:** Approximately 1820 meters per minute, making the working process shorter.

N° 18 GA heavy-duty cord with plug and start- stop switch.



Model	Dimensions	A	B	C	D	E
LEH-1221	MM	495	254	648	267	622
	IN	19.5	10	25 1/2	10 1/2	24 1/2
	HP	Volts	HZ	Poles	RPM	Weight
	1/2	127	60	2	3440	31Kg

**NOTE:** The equipment does not include abrasive wheels, and recommends high standard grain number 60 on dimensions over 7" x 1" x 5/8" wheels. Under special order in this model can be supplied on 120 VAC and 220 VAC, single-phase or 220 VAC three-phase.

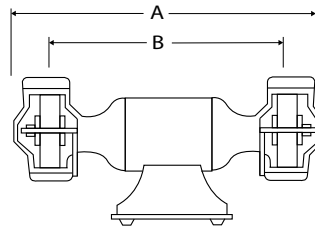
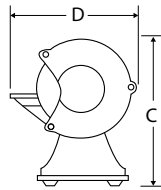
**PEDESTAL AND BENCH HEAVY DUTY GRINDER**

**Applications:** For construction and metal industry, to deburr and obtain smooth before welding, sharpening of drills and bits.

Ball bearing.

All models have cast iron tool rest and protective wheel guards. Rubber feet to minimize vibration and base mounted on/off switch.

Three-phase design for 220 VAC and 440 VAC.



Model	Power HP	RPM to 60 Hz	Wheel (IN)	Wheel Spacing	Shaft Dia. (IN)	Shaft Height Center	Weight (kg)
EHE-344	3/4	1725	10" X 3/4"	11 11/16"	3/4"	8 1/4"	40
EHE-114	1	1725	10" X 3/4"	11 11/16"	3/4"	8 1/4"	42
EHE-214	2	1725	12" X 3/4"	15 7/8"	3/4"	8 1/4"	51

Model	HP	Poles	Dim. IN	A	B	C	D	E	F	G	H	I
EHE-344	3/4	4		20 11/16"	14 1/4"	13 3/4"	14 1/8"	8	7	8	4	5 5/8"
EHE-114	1	4		20 11/16"	14 1/4"	13 3/4"	14 1/8"	8	7	8	4	5 5/8"
EHE-214	2	4		20 11/16"	16 1/4"	15 1/2"	15 1/8"	8	7	8	4	5 5/8"

**THREE-PHASE INTEGRAL HP GRINDER**

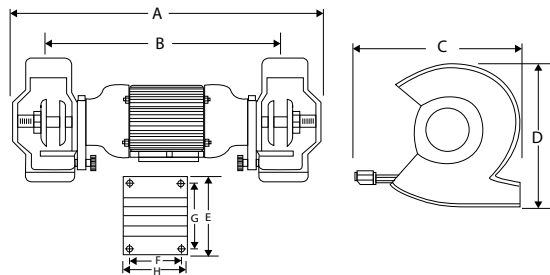
**Applications:** For construction and metal-mechanic industry, to deburr obtain smooth surfaces before welding, sharpening of drills and bits.

Ball bearing.

Cast iron tool rest of exhaust type wheel guards.

Available with sight glass and pedestal.

Three-phase design for 200 VAC and 440 VAC, suitable for 50/60 Hz operation



Model	Power HP	RPM to 60 Hz	Wheels (Plg)	Wheel Spacing	Shaft Dia. (IN)	Shaft Height (IN)	Weight (kg)
EHE-314	3	1750	14" X 2 1/2"	25"	1 1/4"	4 1/2"	119
EHE-514	5	1750	14" X 3"	25"	1 1/4"	4 1/2"	119

Model	HP	Poles	Dim.	A	B	C	D	E	F	G	H
EHE-314	3	4	mm	868	608	432	454	232	140	190	178
EHE-514	5		in	34 3/16	25 15/16	17	17 7/8	9 1/8	5 1/2	7 1/2	7

**THREE-PHASE INTEGRAL HP POLISHER**

**Applications:** For electroplating workshops, for polishing brass products, chroming industrial, footwear industry, and any kind of application that requires polishing deburring cleaning and

**shinning Features:**

**Voltage:** 220-440 V.

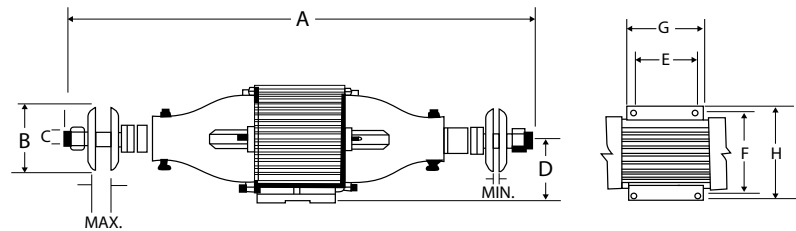
**Frequency:** 50/60 Hz.

**RMP:** 3500/2900.

**Ball Bearing.**

**Connection box.**

**Long shaft with spacers for different wheel widths.**

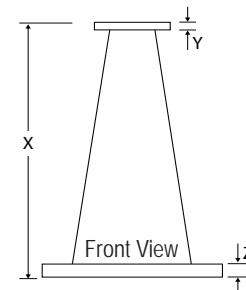
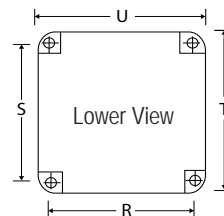
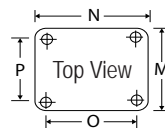


Model	HP	RPM to 60 HZ	Weight (Kg)
PH-212	2	3550	78
PH-312	3	3550	78
PH-512	5	3550	97
PH-7512	7 ½	3550	97

Model	Dim.	A	B	C	D	E	F	G	H	I Min.	I Max.
PH-212	mm	1080	152	32	114	140	190	178	232	13	70
PH-312	plg	42 ½	6	1 ¼	4 ½	5 ½	7 ½	7	9 1/8	½	2 ¾
PH-512	mm	1080	152	38	132	178	216	225	263	13	70
PH-7512	plg	42 ½	6	1 1/2	5 3/16	7	8 ½	8 7/8	10 3/8	½	2 ¾



Note : Pedestal sale Separate.



Pedestal	Dim.	M	N	O	P	R	S	T	U	X	Y	Z	Weight
P2-B	Mm.	228	279	246	178	413	362	413	463	889	54	79	75 Kg.
	Pulg.	9	11	8 1/2	7	16 1/4	14 1/4	16 1/4	18 1/4	35	2 1/8	3 1/8	

**SINGLE-PHASE DENTAL POLISHER**

**Applications:** Dental mechanical, jewelers, plastic articles manufacturer, small workshops and laboratories.

**Features:**

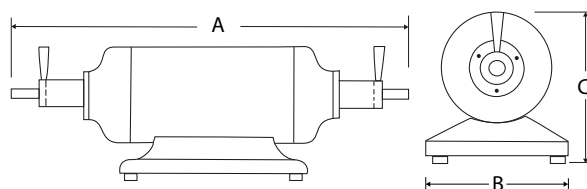
**Bearings:** Sealed ball bearing to withstand high radial service.

**Leads:** 18 AWG, 1.80 meters long.

**Conical shaft.** Gray iron cast base.

**Tempered chromed charging on both sides.**

**Continuous Service.**



Dimensions	A	B	C
mm	457	165	203
Plg	18	6 ½	8

Model	Poles	HP	Volts	HZ	RPM	Weight (Kg)
PDH-132-1	2	1/3	127	60	3200	14.3

## BENCH AND PEDESTAL GRINDER

**Applications:** For construction and metal-mechanic general industry, to deburr cast and machined metal parts, prepare metal surfaces for welding, sharpening of drills and bits.

**Construction:** Robust for industrial use.

**Voltage:** 127 VAC, 120 VAC,

**Frequency:** 60 Hz

Ball Bearing.

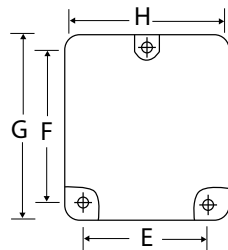
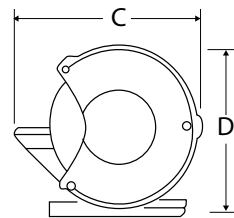
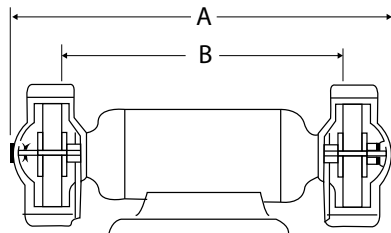
Gray cast iron protection covers.

Lateral side cast cover included.

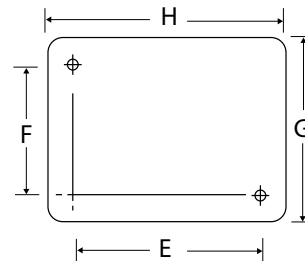
All models have cast iron tool rests and exhaust type wheel guards. Rubber feet to minimize vibration and base mounted on/off switch. 8-foot powercord.



Model	Power HP	RPM	Wheels (IN)	Wheel Spacing	Shaft Dia. (IN)	Shaft Height Center (IN)	Weight. (kg)
EHD-142-1	1/4	3450	6 X 1/2 X 1/2	11 3/16	2/2	4 3/4	12
EHD-132-1	1/3	3450	6 X 1/2 X 5/8	11 15/16	1/2	4 3/4	14
EHD-122-1	1/2	3450	7 X 5/8 X 1	13 9/16	5/8	5 3/4	25
EHD-342-1	3/4	3450	8 X 3/4 X 1	16 7/8	3/4	8 1/4	40



Lower base for mounting 3/4, 1/3, 1/4 HP grinders.



Lower base for mounting for at 1/2 HP grinders.

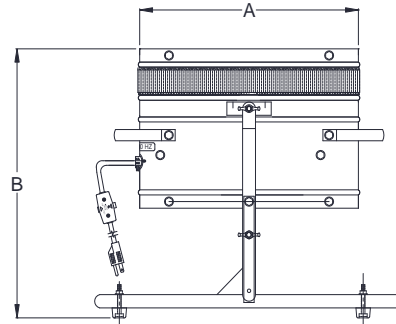
Model	HP	Poles	Dim.	A	B	C	D	E	F	G	H	Pedestal
EHD-142-1	1/4	2	mm	367	367	225	206	152	127	152	178	P1
			plg	14 7/16	11 1/4	8 7/8	8 1/8	6	5	6	7	
EHD-122-1	1/3	2	mm	379	302	225	206	152	127	152	179	P1
			plg	14 15/16	11 7/16	8 7/8	8 1/8	6	5	6	7	
EHD-142-1	1/2	2	mm	446	354	241	248	197	108	165	227	P1
			plg	17 9/16	13 15/16	9 1/2	9 3/4	7 3/4	4 1/4	6 1/2	9	
EHD-132-1	3/4	2	mm	514	356	311	327	143	180	203	203	P3
			plg	20 1/4	14	12 1/4	12 7/8	5 5/8	7	8	8	







**Applications:** Inflatables, air tubes, sky dolls.  
**Type Motor:** Permanent Split Capacitor.  
**Rotation:** CCWSE  
**Insulation:** Class B  
**Bearings:** Ball Bearings  
**Temperature:** Max. 40°C. Thermally Protected  
**Service:** Continuous, "air over".  
**Fan Blade:** 16"  
 Velcro tape which allows simple installation for advertising uses.  
 Robust and pleasant equipment.  
 Powerful fan motor assembly with high air delivery capacity.  
 Electrostatic black paint.  
 Easy to transport.  
 Economic on energy requirements.



Model	HP	Voltage	Amperes	HZ	RPM	Watts	Mounting Dimensions (inches)		
							A	B	FAN
429-ID/5	1/4	120	2.2	60	1650	246	13	2.12	12
229-ID/5	1/2	120	4.0	60	3350	470	13	2.12	12
248-ID/3	3/4	120	4.8	60	3450	560	17	19.50	16

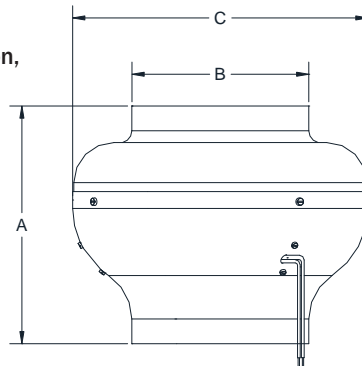
Centrifugal Blowers

IN LINE FANS

**Aerodynamic design**

**Applications:** Kitchen Ventilation, Bathroom Ventilation, Duct Boosting, Dryer Boosters, Garage Ventilation.  
**Type Motor:** Permanent Split Capacitor  
**Finish:** Black Paint.  
**Fan Material:** Aluminium.  
**Insulation:** Class B.  
**Bearings:** Ball Bearings.  
**Temperature:** Max. 40°C. Thermally Protected.  
**Service:** Continuous, "air over".

**Key in reducing cooking odors, smoke, contaminants and moisture.**



Specification and Performance				Mounting Dimensions (inches)			
Model	Voltage	HZ	RPM	"Free CFM"	A	B	C
IL-4	115	60	3100	190	8.20	3.87	9.57
IL-6	120	60	1745	270	10.60	5.87	13.10
IL-6X	120	60	3061	455	10.60	5.87	13.10
IL-8	120	60	3012	690	10.60	7.85	13.10
IL-10	120	60	2979	660	10.60	9.87	13.10
IL-10X	120	60	2811	810	10.60	9.87	13.10

**Applications:** Ventilating Equipment, Cooling and Refrigeration equipment, Dryers, Air Curtains.

**Features:**

**Motor Type:** Shade Pole.

**Voltages:** 115 ,120, 230 V.

**Rotation:** CWSE or CCWSE, with motor position change.

**Finish:** Stainless Steel, Aluminized Steel.

**Insulation:** Class B.

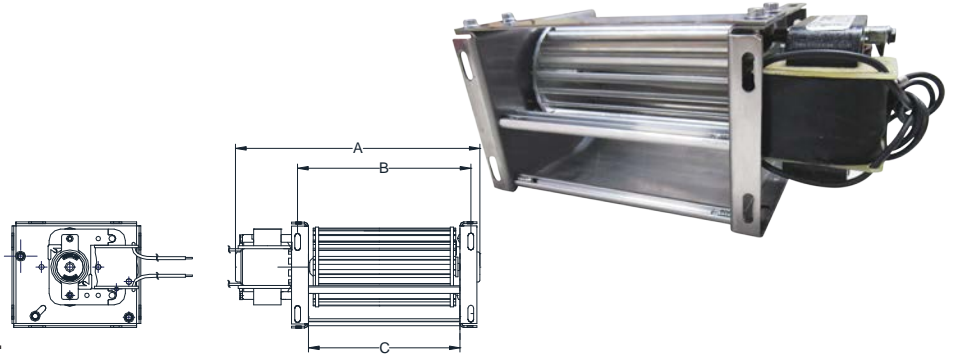
**Bearings:** Sleeve Bearing or Ball Bearings

**Temperature:** Máx. 40° C. Thermally Protected.

**Service:** Continuous "air over".

**High temperature insulation for motors is available.**

## CROSS FLOW BLOWERS



Specification and Performance							Dimensions (Inches)			Wheel Length
Model	HP	Voltage	Amperes	HZ	RPM	"Free CFM"	A	B	C	
CFSHL65X120R2640	1/220	120	0.5	60	1694	60	7.89	5.30	4.72	120 mm
CFSHL65X180R2640	1/185	120	0.6	60	1638	87	10.51	7.67	7.09	180 mm
CFS-HL65X240R2640	1/185	120	0.7	60	2900	113	12.99	10.03	9.45	240 mm
CFSHL65X300R2640	1/118	120	0.9	60	3200	138	15.48	12.39	11.81	300 mm

## LOW PROFILE TYPE BLOWERS

**These units are available in single or double fashion. They are used in limited mounting spaces. Applications:** Fireplace, wood burning stoves, kitchen range hoods, Heat transfer equipment, Medical equipment.

**Features:**

**Motor Type:** Shade Pole.

**Rotation:** CWSE ó CCWSE

**Finish:** Black Paint

**Insulation:** Class B.

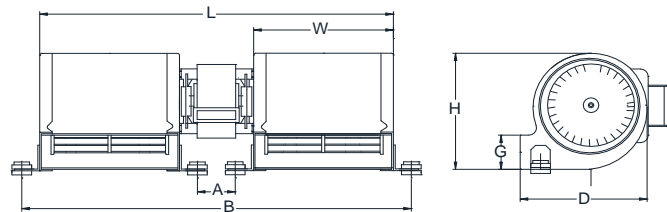
**Bearings:** Sleeve Bearing or Ball Bearings

**Temperature:** Máx. 40° C. Thermally Protected.

**Service:** Continuous "air over".



Model	D	G	H	L	W	A	B
P-40	4.06	1.06	3.90	5.00	3.00	*	*
P-80	4.06	1.06	3.90	6.93	4.63	*	5.75
P-125	4.06	1.06	3.90	11.65	4.63	1.36	1.36
P-125-1	4.06	1.06	3.90	13.43	4.63	3.38	14.50



Model	HP	Voltage	Amperes	HZ	RPM	"Free CFM"
P-40 Single	1/167	120	0.54	60	2800	40
P-80 Single	1/62	120	1.5	60	2800	80
P-125	1/40	120	1.65	60	2900	125
P-125-1	1/40	115	1.65	60	3200	125

**REPLACEMENT BLOWERS**

**Insulation: Class B.**  
**Bearings: Sleeve Bearings or Ball Bearings.**

**Max. Temperature 40°C. Thermally Protected.**  
**Continuous "air over", UL and CSA**



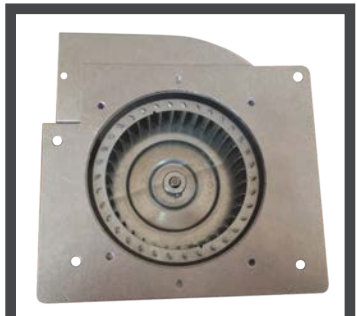
1/40 HP, 115/230V, 0.4/0.2A  
50/60 HZ, 3000 RPM, PSC.  
CRESCOR REF.0769 - 180K, 85CFM  
MODEL: N1608073



1/7 HP, 208/230V, 1.2A  
50/60 HZ, 1625 RPM, PSC  
FASCO REF.70902013, 650CFM  
MODEL: N1601021



1/8 HP, 208/230V, 1.2A  
50/60 HZ, 3250 RPM, PSC  
EBM-PAPST D2E133-AM47-23,  
460 CFM. MODEL: N1601022C



1/25 HP, 208-230 V, 0.65/0.75A  
60 HZ, 3000 RPM, PSC, 120-130 CFM,  
ARMSTRONG JB1N075, JA1N110 7021-  
10126, 7021-12374 MODEL: M1606014A



1/35 HP, 115 V, 1.3 A, 50/60 HZ,  
3000 RPM, SP, FASCO REF. A157,  
80 CFM, GOODMAN 7002-2307,  
7002-2771. MODEL: M1611018



1/20 HP, 115 V, 1.9 A, 50/60 HZ,  
3250 RPM, SP, FASCO REF. A129,  
160 CFM; AMANA 7021-9064, 7021-9259  
MODEL: M1611017



1/70 HP, 115 V, 0.65 A,  
50/60 HZ, 3000 RPM, SP,  
FASCO REF.6080-082, 60CFM  
MODEL: 283-AK-572/6



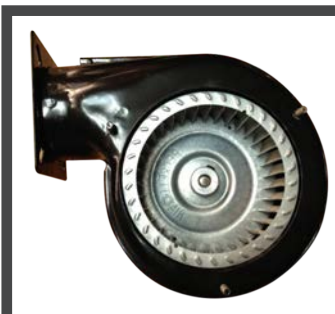
1/30 HP, 115 V, 1.2 A, 60 HZ, 3000  
RPM, SP, REF.82702 125CFM  
YORK 7021-8612  
MODEL: 283-AK-261/184



1/30 HP, 115 V, 1.05 A, 50/60 HZ, 3000  
RPM, SP, REF.66067, 110 CFM  
YORK 326-32067-000  
MODEL: 283-AK-261/185



1/25 HP, 460 V, 0.35 A, 60 HZ, 3000 RPM,  
SP, REF.70-23641-82, 135 CFM  
TRANE 381888942406  
MODEL: 283-AK-261/183



1/35 HP, 115 V, 1.0 A,  
50/60 HZ, 3300 RPM, SP,  
FASCO REF.702112995, 90CFM  
MODEL: 8211715130



1/20HP, 115/230 V, 1.3/0.65 A, 50/60  
HZ, 3000/2500 RPM, SP, PACK ALL  
REF.702112342, 140/115 CFM  
MODEL: 283-AK-598/1

**GENERAL PURPOSE CENTRIFUGAL BLOWERS**

**Applications:** Ventilation, stoves and air conditioning systems, also used as air exhausters.

**Features:**

**Finish:** Powder coat Black color.

**Bearings:** Sleeve Bearings, self aligning or Ball Bearings.

**Ambient Temperature:** Max. 40°C. Thermally Protected.

**Type Motor:** Shaded Pole.

**Rotation:** CW or CCW.

**Insulation:** Class B.

**Service:** Continuous "air over".



Fig 1



Fig 2

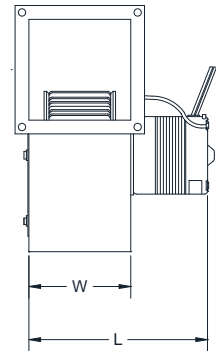
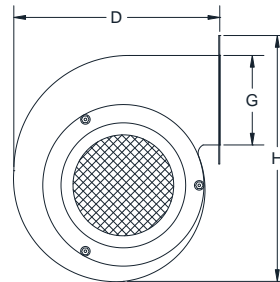


Fig.	Model	HP	Volts	AMPS	HZ	RPM	G	W	D	H	L	Replaces
1	S50	1/200	115	0.32	60	1550	2.12	2.19	6.31	5.84	4.89	Fasco: 06-65-2
1	S90	1/50	115	0.76	60	3000	2.12	2.19	6.31	5.84	5.28	Fasco: 06-90-2
2	S180	1/40	120	0.50	60	1550	3.46	3.46	8.27	8.22	6.66	Fasco: 03-150-2
3	S265	1/25	115	1.37	60	1550	3.562	4.06	9.25	8.50	7.0	Fasco: 18-265-2, B455227 W.W.G.;4c869, 4C447
4	S465	1/20	115	2.20	60	1550	3.562	7 7/8	9.25	8.50	1.0.0	Fasco: 22-465-6 B45267
4	S525	1/20	115	2.4	60	1550	3.562	7 7/8	9.25	8.50	1.0.0	Fasco:22-550-2 W.W.G.;5C508
5	DDS-800	1/8	115	4.0	60	1450	4.38	4.56	10.9	10.16	14.2	Fasco:-21800-2



Fig 3



Fig 4

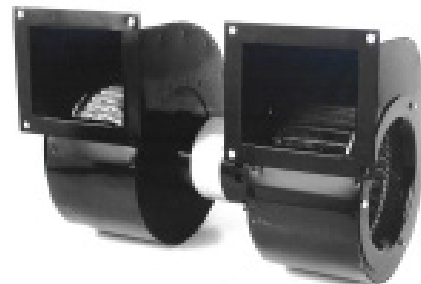


Fig 5



## AIR CIRCULATORS 2 SPEEDS FOR COMMERCIAL AND INDUSTRIAL USE

Ideal for cooling and circulating air in dry hot environments. Quiet operation. Aluminum impellers, 10 ft. Long power cord with ground pin plug.



### Pedestal Mounted

Include height-adjustable pedestal

### Wall Mounting

Includes bracket and motor mount

### Ceiling Mount

Includes bracket and circulator bracket

### Commercial Use

Unit provided with open motor, 120 V, (or 127 V), 60 Hz. Also available for different electrical resources.

### Industrial Use

Unit provided with enclosed motor 120 V (or 127 V), 60 Hz. Also available for other different electrical sources connections.



### Motor

Sealed ball bearings.

Chain start/stop switch.

Shell made with extruded aluminum housing for efficient cooling easy cleaning and corrosion-free. Adjustable inclination on mounting yoke 14° downward and 80° upward.

### Industrial Fan Technical Specification

Fan Diameter Inches	CFM High Speed	CFM Low Speed	Motor			Pedestal			Wall Mount Model	Ceiling Mount Model
			HP	RPM	AMPS	Model	Heigth Min	Heigth Max		
24	4330	4050	1/8	1140	2	IP-IFH24-642/1	38 In	56 In	W-IFH24-642/1	CE-IFH24-642/1
30	7670	5990	1/3	1120	2.5	IP-IFH30-648/1	39 In	57 In	W-IFH30-648/1	CE-IFH30-648/1

### Commercial Fan Technical Specification

Fan Diameter Inches	CFM High Speed	CFM Low Speed	Motor			Pedestal			Wall Mount Model	Ceiling Mount Model
			HP	RPM	AMPS	Model	Heigth Min	Heigth Max		
24	4300	4000	1/8	1135	1.8	IP-IFH24-642/1	38 In	56 In	W-IFH24-642/1	CE-IFH24-642/1
30	7640	5950	1/3	1100	2.35	IP-IFH30-648/1	39 In	57 In	W-IFH30-648/1	CE-IFH30-648/1

Accessories also available separately, such as: handles, motors, grills, pedestal base, adjusting nuts, etc.

# OPEN FANS WITH UNIT BEARING MOTOR AND ROUND WIRE SUPPORTS

## UNIT BEARING OPEN FANS WITH BRACKETS

**Applications:** Ventilation and industrial refrigeration, ventilating for electronic equipment, audiovisual equipment, electronic assemblies, etc.

**Special Features:**

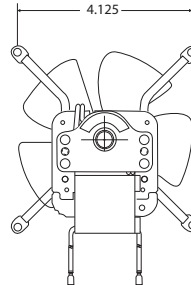
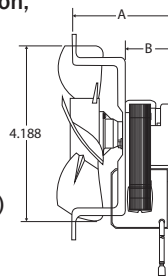
Unit bearing motor.

Metal brackets.

Frequency: 50/60 Hz.

Air away from motor (AA) and air over motor (AO)

Extra quiet operation.



**CA** US

Model	CFM	Voltage	Air Flow	Watts	Amperes	RPM	A	B
3-90-8340	65	115	AA	12/10	.27/.19	2200/1950	1.93"	1"
3-90-8341	65	115	AO	12/10	.27/.19	2200/1950	1.93"	1"
3-90-8342	65	230	AA	12/10	.13/.10	2200/1950	1.93"	1"
3-90-8343	65	230	AO	12/10	.13/.10	2200/1950	1.93"	1"
3-90-8362	65	115/230	AA	12/10	Igual	2200/1950	1.93"	1"
3-90-8363	65	115/230	AO	12/10	Igual	2200/1950	1.93"	1"
3-90-8201	105	115	AA	17/15	.37/.30	2500/2750	2.06"	1.11"
3-90-8202	105	115	AO	17/15	.37/.30	2500/2750	2.06"	1.11"
3-90-8207	105	230	AA	17/15	.19/.15	2500/2750	2.06"	1.11"
3-90-8206	105	230	AO	17/15	.19/.15	2500/2750	2.07"	1.11"
3-90-8356	105	115/230	AA	17/15	Igual	2500/2750	2.06"	1.11"
3-90-8357	105	115/230	AO	17/15	Igual	2500/2750	2.08"	1.11"

## UNIT BEARING OPEN FAN WITH VENTURI

**Applications:** Ventilation and industrial refrigeration, ventilating for electronic equipment audiovisual equipment, electronic assemblies, etc.

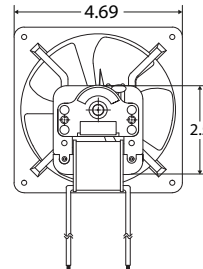
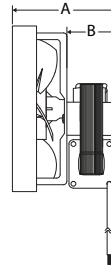
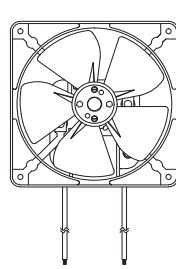
**Special Features:** Aluminum die cast venturi.

Frequency: 50/60 Hz.

Lead terminals: 6", 8", 10" and 12" Length.

Quiet Operation.

**CA** US



Mod	CFM	Voltage	Air Flow	Watts	Amperes	RPM	A	B
3-90-8193	65	115	AA	12/10	.27/.19	2150/1950	2.5"	1"
3-90-8194	65	115	AO	12/10	.27/.19	2150/1950	2.5"	1"
3-90-8308	65	230	AA	12/10	.13/.10	2150/1950	2.5"	1"
3-90-8309	65	230	AO	12/10	.13/.10	2150/1950	2.5"	1"
3-90-8360	65	115/230	AA	12/10	Igual	2150/1950	2.5"	1"
3-90-8361	65	115/230	AO	12/10	Igual	2150/1950	2.5"	1"
3-90-8190	105	115	AA	17/15	.37/.30	2650/3000	2.95"	1.43"
3-90-8191	105	115	AO	17/15	.37/.30	2650/3000	2.95"	1.43"
3-90-8133	105	230	AA	17/15	.19/.15	2650/3000	2.95"	1.43"
3-90-8136	105	230	AO	17/15	.19/.15	2650/3000	2.95"	1.43"
3-90-8358	105	115/230	AA	17/15	Igual	2650/3000	2.95"	1.43"
3-90-8359	105	115/230	AO	17/15	Igual	2650/3000	2.95"	1.43"

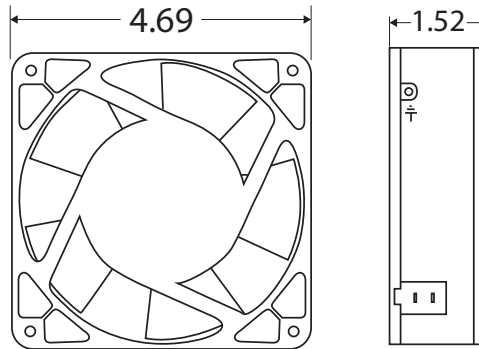
**AXIAL FANS**

**4.69" SQUARE AXIAL FAN**

**Applications:** Ventilating office machines, computer and other electrical equipment, industrial control equipment, audiovisual equipment vending machines, etc.

**Special Features:**

- Rugged die cast zinc frame.
- Polycarbonate molded impeller.
- Impedance protected (ZP).
- Ultra quiet operation.
- Normal life expectancy of 10 years.



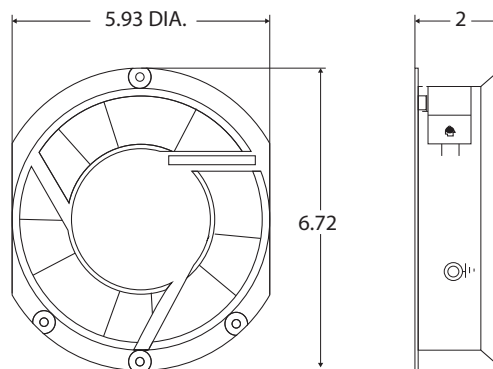
Model	CFM	Voltage	HZ	Watts	Amperes
3-15-2470	45/55	115	50/60	12/11	.16/.14
3-1525-01	45/55	230	50/60	12/11	.08/.07
3-15-2450	50/60	115	50/60	17/16	.19/.18
3-15-2452	50/60	230	50/60	17/16	.10/.09
3-15-2455	60/70	115	50/60	21/18	.26/.23
3-15-2460	60/70	230	50/60	21/18	.13/.12
3-15-3450	85/100	115	50/60	21/18	.29/.24
3-15-3451	85/100	230	50/60	22/17	.16/.13
3-15-4477	95/110	115	50/60	22/18	.38/.28
3-15-4476	95/110	230	50/60	23/18	.19/.14

**6" STACKABLE AXIAL FAN**

**Applications:** Ventilation and industrial refrigeration, industrial coolers, air curtains, ventilation for electronic equipment.

**Special Features:**

- Ball bearing construction.
- Cast aluminum venturi stackable to maximize space efficiency in multiple fan installations.
- Quiet efficient operation.
- Stackable for space reduction when group or together.



Model	CFM	Voltage	HZ	Watts	Amperes
3-15-5601	260	115	50/60	37	0.32
3-15-5602	260	230	50/60	43	0.19

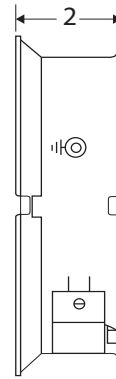
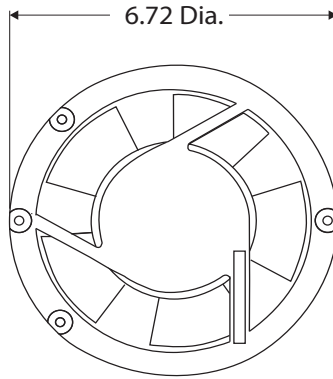
**AXIAL FANS**

**6" ROUND AXIAL FAN**

**Applications:**  
For cabinet cooling of electronic equipment, ventilation, computer, chassis and communication systems, etc.

**Special Features:**  
Ball bearing construction.  
Aluminum die cast venturi.  
Polycarbonate Molded impeller.

**2 Pole PSC Motor for quiet efficient operation.**



Model	CFM	Voltage	HZ	Watts	Amperes
3-15-5800	260	115	50/60	37	0.32
3-15-5801	260	230	50/60	43	0.19

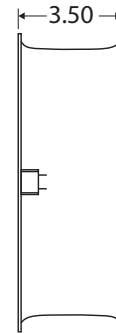
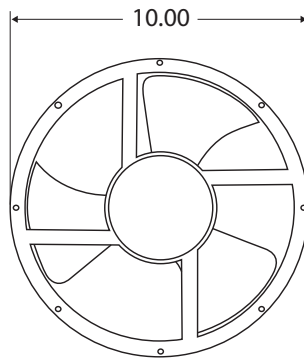
**10" AXIAL FAN**

**Applications:**  
Ventilation and commercial refrigeration, industrial cooling, cabinet cooling of electronic equipment, computer chassis and communication systems, etc.

**Special Feature:** Ball bearing construction.  
Aluminum die cast venturi. Polycarbonate molded impeller.

**4 Poles PSC Motor for quiet efficient operation.**

**Note: CAN BE SUPPLIED WITH STEEL GUARDS AS PROTECTION (ACCESSORY No. 106180000)**

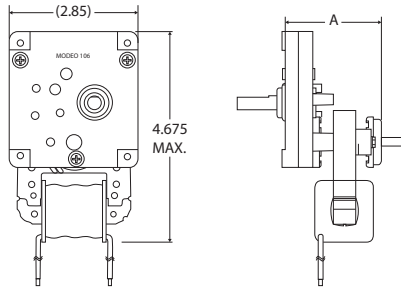


Model	CFM	Voltage	HZ	Watts	Amperes
5-50-0100	560	115	50/60	36	.35
5-50-5100	560	230	50/60	36	.19

**A.C. GEARMOTORS**



**106 Gearmotor**



**106 Gearmotor**

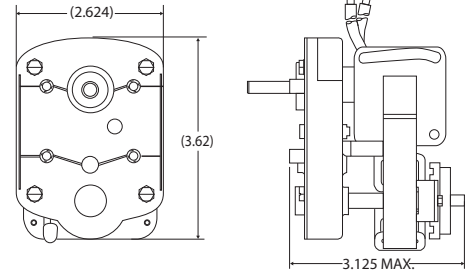
**Uses:** Jewellery and clothing displays, toys and candies dispensers.

**Features:**

Built with pinion and helical gear.  
5/16" or 1/4" output shaft.  
Torque from 75 to 100 lb/in.  
Continuous operation and low noise level.



**107 Gearmotor**



**Note:** Any model, can be supplied with cooling fan.

Model	RPM	Volts	HZ	LB/IN	Output Shaft	A
106-010002894	1	120	60	20	5/16"	2.15"
106-010002926	3	120	60	40	5/16"	2.50"
106-010003115	3	120	60	20	5/16"	2.00"

**107 Gearmotor**

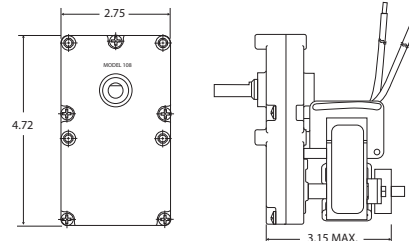
Model	RPM	Volts	AMP	LB/IN	Output Shaft
107-980111-011	6	120	0.28	40	1/4"
107-982331-001	12	120	0.48	20	1/4"

**108 Gearmotor**

**Uses:** Jewellery and clothing displays, toys and candies dispensers.

**Features:**

Built with pinion and helical gear.  
Available with 5/16" international hexagon, in the output shaft.  
5/16" hexagon in to the shaft.  
Torque from 25 to 200 lb-in.  
Continuous operation and low noise level.



Model	RPM	Volts	LB/IN	Output Shaft
108-010000619	4	120	80	3/8"
108-010000620	6	120	80	3/8"
108-010000220	6	120	80	5/16"
108-010001391	6	120	110	HEX. 5/16"
108-010001896	16	120	70	5/16"
108-010001868	33	120	25	5/16"

## ROSTISSERY DRIVES

### 739 ROSTISSERY

**Uses:** Meat Roaster.

**Features:**

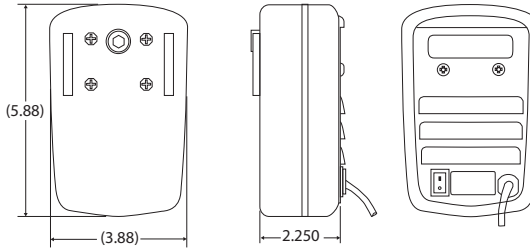
**Gears:** Helical pinion and gear.

**Constructions:** Stainless steel or painted steel covers.

**Hexagonal or square output:** 5/16".

**Lead:** 6 feet length, heavy duty cable with on/off switch on cover.

**Low level noise.**



**SQ: Square Output**

Model	Color Covers	RPM	Volts	Amperes	LB/IN	Shaft
739-983522-999	Stainless Steel	2.8	120	0.31	40	5/16" SQ
739-983515-002	Black	2.8	120	0.31	40	5/16" SQ
739-983522-001	Chrome Plated	2.8	120	0.31	40	5/16" SQ
739-983522-002	Nickel Plated	2.8	120	0.31	40	5/16" SQ
739-983511-001	Stainless Steel	6	120	0.28	40	5/16" SQ

### 751 ROSTISSERY

**Uses:** Meat Roaster.

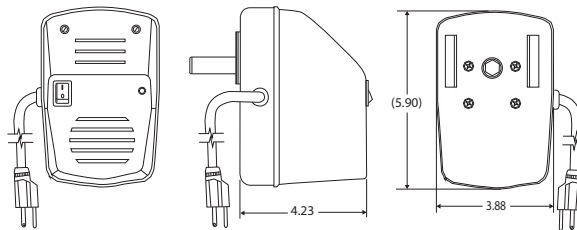
**Features:**

**Gears:** Pinion and helical gear on the first train.

**Constructions:** Stainless steel front cover and plastic rear cover.

**Lead:** 6 feet length, heavy duty cable, with on/off switch on cover.

**Low level noise.**



**Hex: Hexagonal Output**

Model	Color Covers	RPM	Volts	Amperes	LB/IN	Shaft
751-010003049	White	6	120	0.7	110	15/16" Hex.
751-010003072	Black	6	120	0.7	110	15/16" Hex.
751-010003073	Chrome Plated	6	120	0.7	110	15/16" Hex
751-010004263	Black	6	120	0.7	80	15/16" Hex

### 762 ROSTISSERY

**Uses:** Meat Roaster.

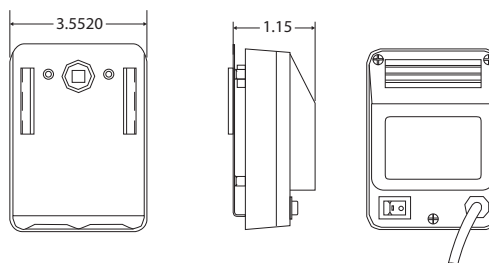
**Features:**

**Gears:** Pinion and helical gear on the first train.

**Constructions:** Stainless steel front cover and plastic rear cover.

**Lead:** 6 feet length, heavy duty cable, with on/off switch on cover.

**Low level noise.**



**SQ: Square Output**

Model	Color Covers	RPM	Volts	Amperes	LB/PLG	Shaft
762-983521-999	Black	2.8	120	0.5	28	5/16" SQ.
762-983025-007	Black	2.8	120	0.5	18	5/16" SQ

**Applications:** Evaporative cooling equipment, humidifiers, decorative fountains, automatic coolers.

**Construction:** High impact plastic pump body, sintered bronze bearings and high durability lubrication. Integrated cooling fan. Elbow and base are removable for easy cleaning. □

**Features:**

**Voltage:** 120 V, 127 V or 230 V.

**Speed:** 3000 RPM.

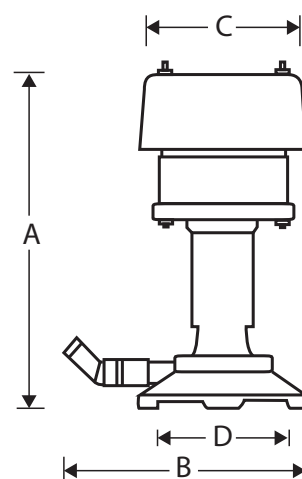
**Length:** #18 AWG, 30 CM length.

**Packing:** Single individual or bulk.



## DIMENSIONS

Model	A	B	C	D
PG-2000	21.5	15.8	10.8	10.9
PG-3000	21.8	15.8	10.8	10.9
PG-6500	22.1	15.8	10.8	10.9



## SPECIFICATIONS AND PERFORMANCE

Model	At 30 cm (Lts)	At 90 cm (Lt)	At 150 cm (Lt)	Max. Height to zero flow in cm	Max. work pressure kg/cm <sup>2</sup>	Amperes	Color
PG-2000	12.5	9.500	6.780	200	0.18	0.65	Negra
PG-3000	17	13.600	9.100	240	0.24	0.90	Azul
PG-6500	20.5	17.000	15.500	285	0.285	1.1	Azul

**NOTE:** Text datB of flow in liters per minute with 1/2" outlet. Pump can be supplied for 220 V connection, also with thermal protector, with ON/OFF switch and with duplex cable with molded plug 2 meters long.



8211715046



8213915177



8414325033



8214365103



8214315034



Model	HP	Volts	Amps	RPM	Rot.	Thermal Prot.
8211715046	1/35	120	1.2	3000	CCW	TP
8214365103	1/15	115/230	2.2/1.1	1550	CW	TP
8214315100	1/20	115	1.72	1550	CW	TP
8213915177	1/40	115	0.89	1550	CCW	TP
8214315034	1/10	155	3.1	1550	CW	TP
8213915104	1/50	115	1.25	1600	CWSE	TP
8414325033	1/6	220	2.4	1550	CW	TP
8212315056	1/20	115	1.6	2600/3000	CCW	TP
K4125-519/3	1/20	120	2.3	1550	CW	TP
F6125-483/9	1/9	120	3.4	1050	CW	TP
6125-31/10	1/15	127	1.35	1050	CWLE	TP
6125-387/1	1/8	127	5.1/ 4.0	950/650	CCW	TP



8212315056



K4125-519/3



6125-31/10



6125-387/1

**Applications**

Conveyors, Fans, Feed Auger System, Dairy and Poultry Equipment, Barn Cleaners, Farm and Industrial Applications

**Features**

- Manual reset thermal protection
- Ball Bearing
- Protected Against Dust



Nema 56 Y Frame



**Totally enclosed Fan Cooled – Start Capacitor - High Torque**

HP	RPM	Volts	NEMA Frame	SF	Thermal Protection	FLA	Model	Cross Reference	
								GE	BALDOR
1/3	1725	115/230	56	1.15	Man	7.9 / 4.0	456-410/201	F13E1	FDL3501M
1/2	1725	115/208-230	56	1.15	Man	8.0 / 4.0	456-410/201	F12E1	FDL3504M
3/4	1725	115/230	56	1.15	Man	10.7 / 5.5	456-410/202	F34E1	FDL3507M
1.0	1725	115/230	56	1.15	Man	13.1 / 6.7	456-410/203	F10E1	FDL3510M

**Applications**

Feed Auger System, Dairy and Poultry Equipment, Barn Cleaners, Farm Applications

**Features**

- Automatic or Manual reset thermal protection
- Sealed Ball Bearing
- Protected Against Dust



1/4 to 1 HP

**Totally Enclosed – PSC and Start Capacitor - High Torque**

HP	RPM	Volts	NEMA Frame	SF	Thermal Protection	FLA	Model	Cross Reference BALDOR
1/4	1725	115/230	48	1.15	Automatic		448-410/221	CHC3413A
1/3	1725	115/230	48	1.15	Automatic	7.9 / 4.0	448-410/222	CHC3416A
1/2	1725	115/208-230	56	1.15	Aut or Man	8.0 / 4.0	456-410/223	CHC3524A
3/4	1725	115/230	56	1.15	Man	10.7 / 5.5	456-410/224	
1.0	1725	115/230	56	1.15	Man	13.1 / 6.7	456-410/225	

**Applications**

Feed Auger System, Dairy and Poultry Equipment, Barn Cleaners, farm Applications

**Features**

- Automatic or Manual reset Thermal Protection
- Sealed Ball Bearing
- Protected Against Dust



56 Y Frame, Base and Flange



**Totally enclosed Fan Cooled – Start Capacitor - High Torque**

HP	RPM	Volts	NEMA Frame	SF	Thermal Protection	FLA	Model	Cross Reference	
								GE	BALDOR
1/2	1725	115/208-230	56	1.0	Aut or Man	9 / 4.5	456-410/233	C661	CHC3524A
3/4	1725	115/230	56	1.0	Aut or Man	10.8 / 6.4	456-410/234		
1.0	1725	115/230	56	1.0	Man	13.0 / 6.7	456-410/235	C660	
1.5	1725	115/208-230	56	1.0	Man	14.5 / 7.3	456-410/236	C659	

**Applications**

Designed for direct drive fans. Farm motor, pet and chicken house ventilation, Dairy and Poultry Equipment,

**Features**

- Automatic or Manual reset thermal protection
- Ball Bearing
- Protected Against Dust



TE, Flange Mounting



**Totally enclosed – PSC and Start Capacitor - High Torque**

HP	RPM	Volts	NEMA Frame	SF	Thermal Protection	FLA	Model	Cross Reference
1/3	1725	115/230	48	1.15	Aut or Man	4.8 / 2.4	448-410/242	
1/2	1725	115/208-230	48	1.15	Aut or Man	7.2 / 3.8	448-410/243	

**Uses:** In hospitals, sterilized areas and spaces, slaughter houses, food processing instalations in areas with delicate parts (electronic), etc. are being processed and assembled. In all areas where motors need to be washed and cleaned using pressured hoses, etc

**Specifications:**

56 Frame motors, with double row ball bearing including neoprene seals, shaft is also sealed in order to avoid water from reaching the ball bearing. Motor covers are sealed to avoid water under pressure from coming into the motor. Shaft is in stainless steel hardware and all nuts and bolts are supplied in stainless steel.

- Conduit box as well a capacitor covers are sealed with neoprene gaskets, .
- Insulation is class F.
- Motors are painted with electrostatic epoxy paint, resistant to water.



IP55

Model	Volts	HP	RPM	Enclosure	FLA	Type	References	Shaft
456-499/80	115/230	1/4	1700	TENV	2.0/1.1	PSC	-	½ X 3.0"
656-525/7	115/230	1/4	1140	TENV	2.2/1.1	PSC	GREENECK 311278	½ X 3.0"
456-599/1	115/230	1/3	1700	TENV	4.4/2.2	PSC	TPI 58574-001	½ X 3.0"
656-525/1	115/230	1/3	1140	TENV	3.2/1.7	PSC	GREENHECK 311276	½ X 3.0"
456-499/81	115/230	1/2	1700	TENV	5.1/2.6	PSC	-	5/8 X 3 5/16"
656-525/5	115/230	1/2	1140	TENV	5.5/2.8	PSC	GREENECK 311283	5/8 X 3 5/16"

### Motor PSC

## MOTORS FOR CONVECTION OVENS

**Specifications:**

**Voltage:** 100/220 V.

**Rotation:** CCW.

**Lead cables:** #18 AWG.

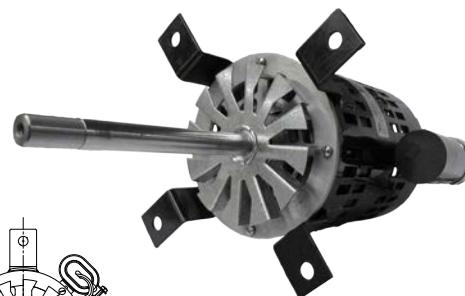
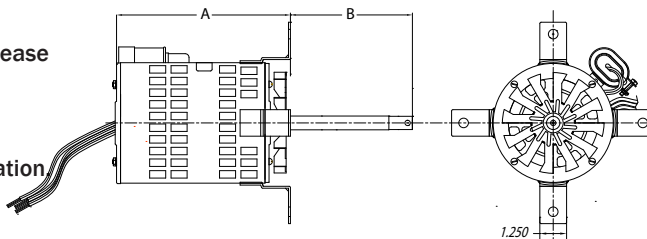
**Insulation class:** F (155 °C).

**Finish:** Black Paint.

Motors are thermally protected.

Motors has high temperature grease bearings.

Used for insulating hot air in convection ovens and in high temperature and general ventilation.



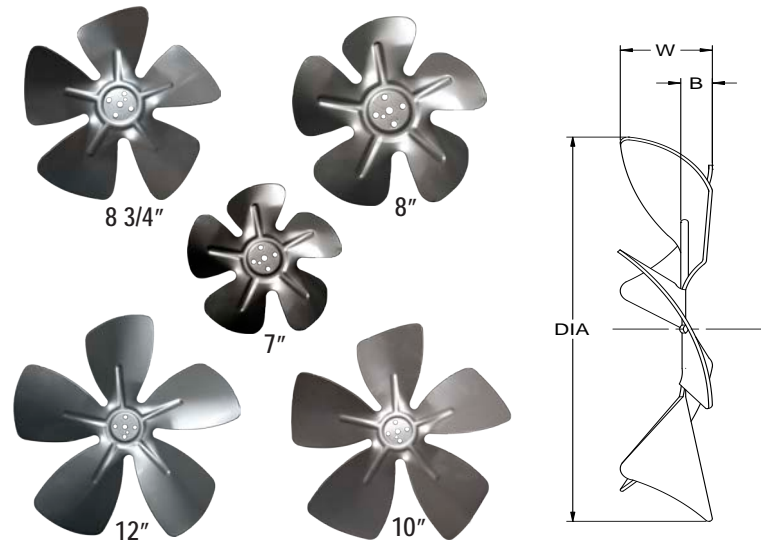
Model	HP	RPM	Frequency	Amperes	A	B (Diá. x Lenght.)
448-589/1	1.0	1625/1400	60/50	12-14/6-7	8.120	0.650 x 5.700
242-148/3	1/3	3250	60	4.20	5.874	0.500 x 4.450
448-148/4	1/2	1625	60	6.2	5.874	0.625 x 4.325
248-148/5	1/4	3250	60	2.8	3.530	0.500 x 4.325

**Applications:** Cooling cabinets, ice cream machines, ice machines, water coolers, condenser, evaporators, cooker hoods.

**Material:** Aluminium and galvanized steel, single piece.

**Rotation:** CW or CCW with different angles to optimise airflow.

**Mounting:** Unit bearing type, hubless with coupler; with shaft hubs.



Fan Dia.	Model	Hub	Pitch	B	W	Max. RPM
7.00"	SH-700-28-5	Std. bore*	28°	.50"	1.00"	3600
	UB-700-28-5	Unit bearing				
	SH-700-30-5	Std. bore*	30°	.625"	1.50"	
	UB-700-30-5	Unit bearing				
	SH-700-31-5	Std. bore*	31°	.75"	1.75"	
	UB-700-31-5	Unit bearing				
8.00"	SH-800-28-5	Std. bore*	28°	.50"	1.00"	3600
	UB-800-28-5	Unit bearing				
	SH-800-30-5	Std. bore*	30°	.625"	1.625"	
	UB-800-30-5	Unit bearing				
	SH-800-31-5	Std. bore*	31°	.75"	1.75"	
	UB-800-31-5	Unit bearing				
8.75"	SH-875-28-5	Std. bore*	28°	.50"	1.00"	3600
	UB-875-28-5	Unit bearing				
	SH-875-30-5	Std. bore*	30°	.625"	1.25"	
	UB-875-30-5	Unit bearing				
	SH-875-31-5	Std. bore*	31°	.75"	1.625"	
	UB-875-31-5	Unit bearing				
10.00"	SH-1000-28-5	Std. bore*	28°	.50"	1.125"	2500
	UB-1000-28-5	Unit bearing				
	SH-1000-30-5	Std. bore*	30°	.625"	1.50"	
	UB-1000-30-5	Unit bearing				
	SH-1000-31-5	Std. bore*	31°	.75"	1.625"	
	UB-1000-31-5	Unit bearing				
12.00"	SH-1200-28-5	Std. bore*	28°	.50"	1.125"	2500
	UB-1200-28-5	Unit bearing				
	SH-1200-30-5	Std. bore*	30°	.625"	1.50"	
	UB-1200-30-5	Unit bearing				
	SH-1200-31-5	Std. bore*	31°	.75"	1.625"	
	UB-1200-31-5	Unit bearing				

**Features:**

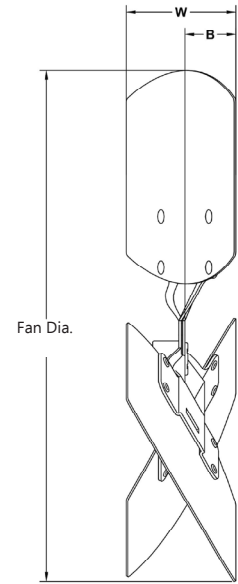
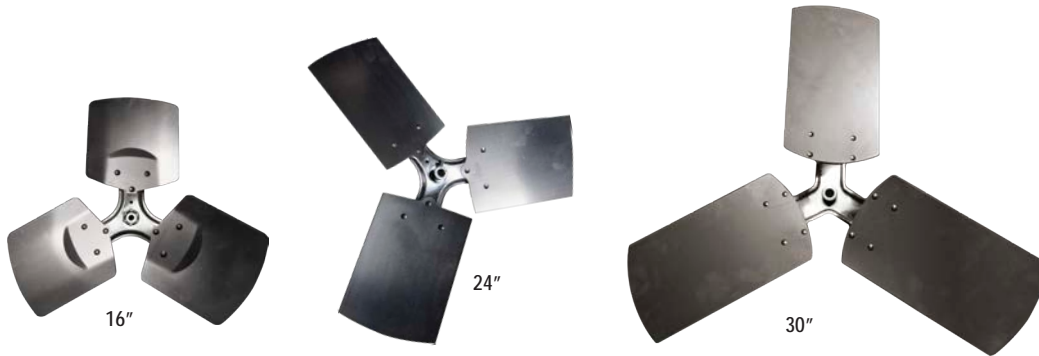
Axial Airflow.

Stamped Steel hubs.

Designed in 3 blades, to provide maximum airflow, at low noise level and low power consumption.

Available electrostatic paint finish.

Dynamic balancing on all products.

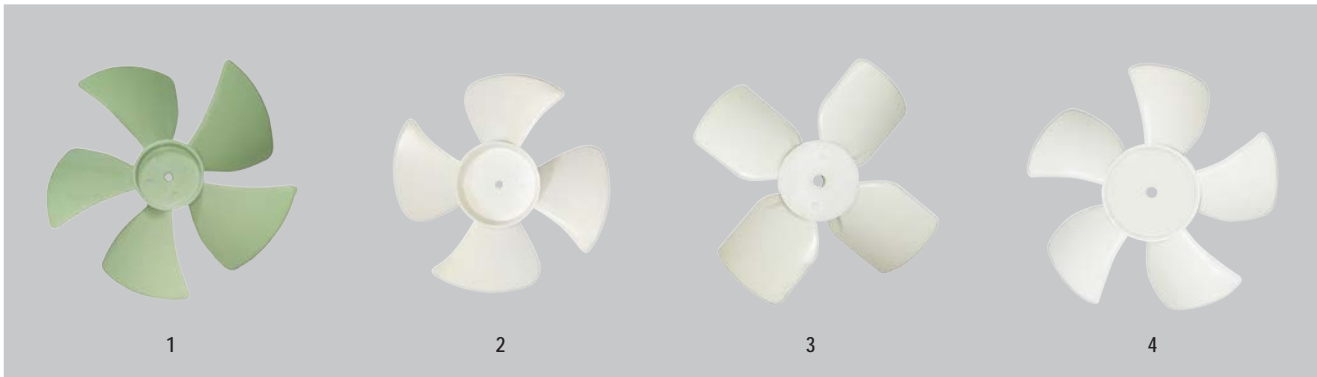


**FSL= FAN STANDARD LINE**

Fan Dia.	Model	Hub dia.	Max. RPM	Pitch	B	W
16"	FSL16-3-11	3/8, 1/2"	1725	11°	0.30"	1.3"
	FSL16-3-15	3/8, 1/2"		15°	0.50"	1.7"
	FSL16-3-25	3/8, 1/2"		25°	1.26"	2.8"
	FSL16-3-27	3/8, 1/2"		27°	1.40"	3.0"
22.5"	FSL22.5-3-11	1/2, 5/8, 3/4"	1140	11°	0.30"	1.3"
	FSL22.5-3-15	1/2, 5/8, 3/4"		15°	0.50"	1.7"
	FSL22.5-3-25	1/2, 5/8, 3/4"		25°	1.26"	2.8"
	FSL22.5-3-27	1/2, 5/8, 3/4"		27°	1.40"	3.0"
24"	FSL24-3-11	1/2, 5/8, 3/4"	1140	11°	0.30"	1.3"
	FSL24-3-15	1/2, 5/8, 3/4"		15°	0.50"	1.7"
	FSL24-3-25	1/2, 5/8, 3/4"		25°	1.26"	2.8"
	FSL24-3-27	1/2, 5/8, 3/4"		27°	1.40"	3.0"
28"	FSL28-3-11	1/2, 5/8, 3/4"	1140	11°	0.30"	1.3"
	FSL28-3-15	1/2, 5/8, 3/4"		15°	0.50"	1.7"
	FSL28-3-25	1/2, 5/8, 3/4"		25°	1.26"	2.8"
	FSL28-3-27	1/2, 5/8, 3/4"		27°	1.40"	3.0"
30"	FSL30-3-11	1/2, 5/8, 3/4"	1140	11°	0.30"	1.3"
	FSL30-3-15	1/2, 5/8, 3/4"		15°	0.50"	1.7"
	FSL30-3-25	1/2, 5/8, 3/4"		25°	1.26"	2.8"
	FSL30-3-27	1/2, 5/8, 3/4"		27°	1.40"	3.0"

**Applications:** Evaporators, condenser, commercial chillers in domestic refrigeration. Desk fans and general ventilation.

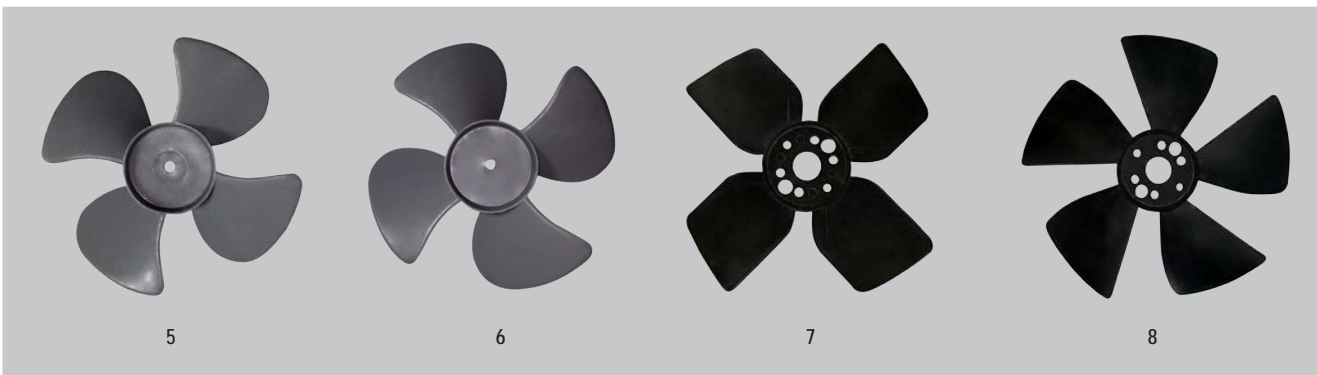
**Rotation:** Viewing flow air discharge side



No.	Part Number	ROT	Dia.	Direction	Material	Blades	Color
1	200050510	CW	6.5"	AA	Polyethylene	5	Green
2	200607962	CCW	5.5"	AA	Valox	4	White
3	200070100	CW / CCW	4.00"	AO	Nylon F.V. Nat.	4	Natural
4	200607972	CW	4.00"	AO	Valoy	5	White
5	200050366	CW	6.0"	AO	Polyethylene	4	Gray
6	200050506	CW	4.0"	AA-AO	Polyethylene	4	Gray
7	010002498	CCW	4.0"	AA-AO	Zytel	4	Black
8	106218466	CW	4.0"	AA-AO	Lexan 500	5	Black


**AA:** Air flow away from motor

**AO:** Air flow towards motor



**EV- ELECTRIC VEHICLE DIRECT CURRENT MOTOR AND PARTS**

<b>MOTOR</b>	<b>MOTOR LINE</b>	<b>DESCRIPTION</b>	<b>APPLICATION</b>
 5BC49JB1155	50T - JB line	5 HP, 2740 RPM, 48 Vdc, Shunt Wond, 10 Tooth Spline.	Traction Motors
 5BC49JB1122	50T - JB line	7.6/10.1 HP, 2325/3100 RPM, 36/48 Vdc, SERIES Wound, 0749 Dia. With woodruff Key.	Pump Motor
 5BC49JB424C	50T - JB line	1.3/1.4 HP, 1600/1250 RPM, 27/27 Vdc, SERIES Wound, shaft 1.5 x .625, w/1.00 inch .	Evaporator Blower Motor
 5BC48JB3075C	50T - JB line	2.5 HP, 3300 RPM, 24 Vdc, SERIES Wound, special spline y threaded shaft.	Traction Motor
 5BT1326B300	BT - line	10 HP, 2600 RPM, 48 Vdc, SERIES Wound, with brake.	Pump Motor With Brake
 5BT366B176	BT - line	13 HP, 1380 RPM, 36/48 Vdc, SHUNT ext. Spline 25T y ext. Spline 17T shaft	Traction Motor
 5BT1346B143	BT - line	11.5 HP, 1700 RPM, 48 Vdc, SHUNT, ext. Spline 21T y ext. Spline 17T	Pump Motor
 5BPA56HAG11	2 Poles - PM line	1/4 HP, 1725 RPM, 90 Vdc, PERMANENT MAGNET, SPECIAL TANG SHAFT	General Purpose Motor
 5BPA48NBF24	4 Poles - PM line	1.2/1.8 HP, 2920/2100 RPM, 48/36 Vdc, PERMANENT MAGNET, SPECIAL TANG SHAFT	Pump Motor
 5BPA56PBF10	4 Poles - PM line	3/4 HP, 1800 RPM, 27 Vdc, PERMANENT MAGNET, .625 Dia. W/SPECIAL FLAT SHAFT	Condenser Fan Motor
 5CD125WE001B	K3 - line	3 HP, 1750 RPM, 180 Vcd, SHUNT Wound, .875 Dia. With .187 KEY SHAFT	General Purpose Motor

PARTS	MOTOR LINE	DESCRIPTION
 Field Coil Set	50T	4 Poles, series field coil, with screw terminals.
 Brushes	50T	Electric brushes with lead set and screw terminals.
 Stator	PM	Permanent magnet stator for 4 pole motor.
 Shaft Sleeve	50T	Shaft 9 teeth sleeve adapter for traction motor.
 Armature	50T	Armature for series traction motor.
 Brush Holder	50T	Brush holder and plate mechanism.
 Fan	BT	Fan for BT Motors.
 Shaft	BT	Steel shaft with heat treated spline.
 Poles	BT	Stacked lamination poles for BT Motors.
 Cover Band	BT	Steel cover protection band for BT Motors.
 Commutator	BT	Copper commutator with 49 bars.
 Armature	BT	Armature for BT series traction motor.

## Shaft Extension Kits



No:	Diameter	Length	Shaft Adapter Length
13065-1	1/4"	4 1/2"	1.25"
13065-2	5/16"	4 1/2"	1.25"
13065-3	3/8"	4 1/2"	1.25"
13065-4	1/2"	4 1/2"	1.25"

## 1/4" Shaft Adapter



200012713  
1/4" x 1.0"

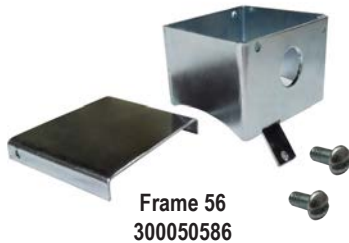
## Shaft Adapter



12701

No.	I.D.	O.D.	Length
12701-1	1/4"	5/16"	1.00"
12701-2	5/16"	3/8"	1.06"
12701-3	3/8"	1/2"	1.06"
12701-4	1/2"	5/8"	1.50"

## Conduit Box



Frame 56  
300050586

**Application:**  
For 56 Frame Motor

2 # 6 Phillips Screw and  
2 # 8 Hex. Screw Included.

## Conduit Box



200050607

**Application 3.3 Motor**

2 # 6 Phillips Screw and  
2 # 8 Hex. Screw Included.

## Hexagonal Hub



12635-2  
1 1/8", 1 1/2"

11693  
1 1/8", 1 1/2"

**Application:**  
Resilient Mounting

Finish: Powder coat black color.

## Sleeve Bearing-Iron



No.	I.D.	O.D.	Length
200127794	0.250 / 0.2506	0.618	0.468
200127791	0.3128 / 0.3131	0.618	0.468
200127795	0.3753 / 0.3756	0.618	0.468
200101002	0.3755 / 0.3752	1.026	0.660
200101001	0.5002 / 0.5007	1.026	0.660

## Spring Washer



For bearings of 3.3 and 5" diameter motors.

## Bracket For 3.3 Motor



For Mounting motor to blower  
Material: Zamac, 2 pzas per package.

No:	Thiknees	Heel
200060218	0.200"	No
01007678	0.080"	No
010002688	0.200"	Yes

## Support for 3.3 Motor



Application:  
Support for motor mounting to blower.

Material: Sheet Steel.  
Finish: Powder coat black color.

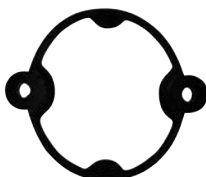
## Capacitor Mounting Bracket



Application:  
For PSC motor when needs to be included the assembled capacitor.

For: 3.3", 42", 48", 56" frame motors.  
Material: Galvanized steel.

## Rubber Gasket



12187S-Silicone  
12187N-Neoprene  
Int. Dia. 2.565"  
Holes 17/64" Dia.

Application:  
3.3 Electric Motor.

## Lug Mounting Bracket



No.	Dia.	Mounting
001	5.100"	6 1/2" - 7 1/2"
002	5.600"	7" - 8 1/8"

## Mounting Clamps



For: 42", 48" and 56" frame, resilient mounting.  
2 per motor.  
Material: Galvanized steel, 0.09 thickness.

## Mounting Bracket For 3.3" Shaded Pole Motors



Application:  
For compressor fan cooling, in refrigeration industry.

Material: Galvanized steel, 0.090" thickness.

No.	Height
200012354	2 3/4"
200123541	3 17/32"
200123542	4 5/8"

## Motor Mounting Steel Ring



Application:  
Resilient mounting base.

Material: Galvanized steel.

No.	Diameter	Wide
200116611	2.500"	5/16
200116612	2.3750"	3/8
200011661	1.75"	1/4

## Motor Mounting



Application:  
3.3" motor mounting bracket.

Material: Zamac.

## Flex Mounting Bracket for Rheem



- Replaces mounting bracket.
- Flex bracket kit.
- 4 Brackets and 8 screws included.

## Blower Housings

Clam shell housings 50 to 180 CFM'S



852103001  
2.0" Dia.

Round



Round 30 to 90 CFM.



Squar 110 to 180 CFM.

Finish: Powder coat black color.

## Conduit Connector 1/2 NPT



11005

For use as a motor terminal stress relief.

## Rubber Resilient Mounting Ring



11675

1 3/4", 2 1/4", 2 1/2"



11675-1

2 1/4", 2 3/4", 2 1/2"

Applications:  
Resilient mounting base.

No.	O.D	Shore A
11675	1 3/4	48
11675-1	2 1/4	48
11675-2	2 1/2	48

## Cushion and Resilient Ring



10926-2

O. D	Shore
2 1/2"	48 A
2 1/2"	70 A

## Rubber Grommet



Silicone  
11723



Santoprene  
10665

Application:  
In mounting brackets for 3.3" motor; and when high temperature air is expected.

## Motor Mounting Base 70208-10



Height	Length
2 11/16"	3 1/4"
2 11/16"	3 1/2"
2 11/16"	---
2 11/16"	4 1/4"
2 11/16"	4 1/2"

## Cradle Mount Frame 48

Height	Length
3"	3 1/2"
3"	3 3/4"
3"	4"
3"	4 1/4"
3"	4 1/2"
3"	4 3/4"
3"	5"
3"	5 1/4"
3"	5 1/2"

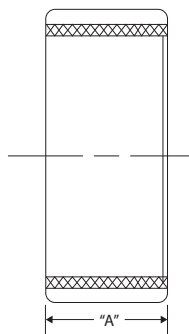
## Resilient Mount Frame 42

Height	Length
3 1/2"	3 1/4"
3 1/2"	3 1/2"
3 1/2"	3 3/4"
3 1/2"	4"
3 1/2"	4 1/4"
3 1/2"	4 1/2"
3 1/2"	4 3/4"
3 1/2"	5"
3 1/2"	5 1/4"
3 1/2"	5 1/2"

## Heat Sink

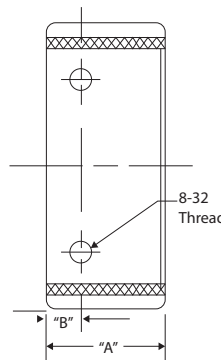


12247



No.	"A"
12247-1	0.425"
12247-2	0.625"
12247-3	0.820"
12247-4	0.925"
12247-5	1.175"
12247-6	1.425"

12247-M



No.	"A"	"B"
12247M-1	---	---
12247M-2	0.600"	---
12247M-3	---	---
12247M-4	1.125"	1.125"
12247M-5	1.350"	1.350"
12247M-6	0.725"	---
12247M-7	1.350"	---
12247M-8	1.425"	0.550"
12247M-9	1.425"	0.875"

## 3.3 Motor Rubber Gasket



10371  
2.84" Dia. Between holes

For use as a motor to blower gasket to absorb vibrations and reduce noise.

## Venturi Ring



851049

Dia. Ext.	Dia Int.
7.31	4.44
4 Holes Dia. 0.203"	

For blowers from 180 CFM to 265 CFM.

## Venturi Ring

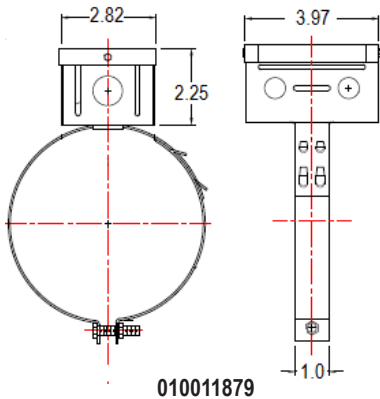


60040

Dia. Ext.	Dia Int.
5.88	4.44
Holes 3/16"	

For blowers from 600 CFM to 8 CFM.

### Adjustable Belly Band with, Conduit Box

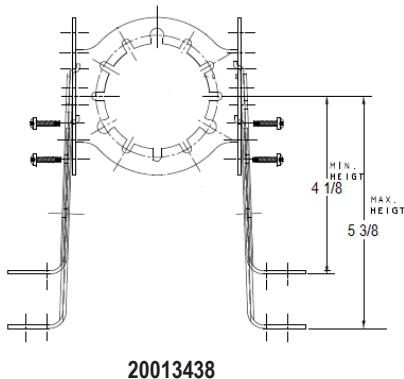


**Applications:**  
Use on 4 5/8" and 5 5/8" dia.  
42 and 48 frames motors.

Adjustable Bracket and setscrews  
included.

Material: Sheet steel  
Powder coat inish.

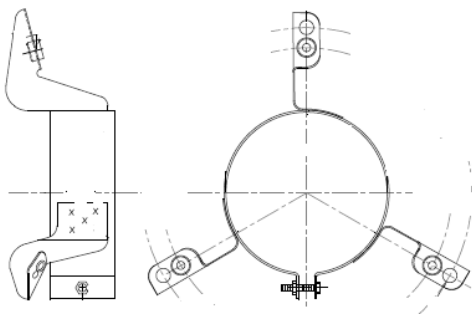
### Unit Bearing Motor Bracket



Adjustable for shaft height  
4 1/8 to 5 3/8

Studs an bracket included.

### Unit Bearing Motor Bracket

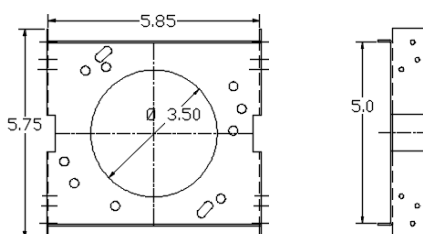


**Features**  
3 - Leg torsion Flex brackets

To isolate and prevent vibrations from reaching housing causing  
noise. Include: 3 grommets, 3 steel washers,  
1 bolt an 1 nut

No.	Diameter
010006266	5"
010006267	5 1/2"

### Unit Bearing Motor Bracket



Replaces: Rheem AS-55306-02

No. 200070371  
Frame 48

5 5/8 Diameter motors.  
Galvanized steel, stamped bracket.  
For Rheem-Ruud Condensing Units.

## Blower Wheels



Single Wheel



Double Wheel

Part No.	Description	Ext. Dia.	Height	Shaft Dia.	Rotation
50602-2	Single Inlet	5 1/4"	2 15/16"	5/16"	CCW
50602-6	Single Inlet	5 1/4"	2 1/16"	5/16"	CW
50603-2	Double Inlet	5 3/4"	2 15/16"-2 15/16"	5/16"	CW
50603-3	Double Inlet	5 3/4"	2 15/16"-3 13/16"	5/16"	CW
50603-4	Double Inlet	4 3/4"	3 7/16"-3 13/16"	1/2"	CW
50603-5	Double Inlet	4 3/4"	3 7/16"-3 13/16"	1/2"	CCW
60047-1	Single Inlet	3 13/16"	1 15/16"	5/16"	CCW
60047-2	Single Inlet	3 13/16"	1 15/16"	1/4"	CCW
60261	Single Inlet	6 1/4"	3 1/2"	3/2"	CCW
60261-1	Single Inlet	6 1/4"	3 1/2"	5/16"	CCW
60463-1	Single Inlet	6 3/16"	2 1/16"	5/16"	CW
60463-2	Single Inlet	6 3/16"	2 1/16"	1/4"	CW
*60527	Single Inlet	3 7/32"	1 7/8"	5/16"	CCW
*60530-1	Double Inlet	3.15"	3.750" (2)	1/4"	CCW-CW
*60530-2	Double Inlet	3.15"	3.750" (2)	5/16"	CCW-CW
60548-1	Single Inlet	5 3/4"	1 1/2"	5/16"	CCW
60548-2	Single Inlet	5 3/4"	1 1/2"	5/16"	CW
60548-5	Single Inlet	6 5/16"	3 7/16"	3/8"	CW
60548-8	Single Inlet	6 5/16"	3 7/16"	3/8"	CCW
*60578-2	Single Inlet	3.2"	1 7/8"	5/16"	CW
*60579	Double Inlet	3.2"	3.83" (2)	5/16"	CCW-CW
*60750	Double Inlet	3.2"	3.77" (2)	5/16"	CCW-CW
60567-1	Single Inlet	4 3/4"	1.03"	5/16"	CW
60567-2	Single Inlet	4 1/4"	1. 1/2"	5/16"	CW
60567-3	Single Inlet	4 3/4"	1.03"	5/16"	CCW
60567-4	Single Inlet	4 1/4"	1. 1/2"	5/16"	CCW
60577-1	Single Inlet	5 1/4"	1. 315"	5/16"	CW

# ACCESSORIES

Multiply	By	To Obtain
Acre	0.4047	Ha
Atmosphere, standard	*101.325	kPa
Bar	*100	kPa
Barrel (42 US gal, petroleum)	159	L
Btu, (International Table)	1.055	kJ
Btu / ft <sup>2</sup>	11.36	kJ/m <sup>2</sup>
Btu . ft/h.ft <sup>2</sup> .°F	1.731	W/(m.K)
Btu . ft/h.ft <sup>2</sup> .°F		
(thermal conductivity, <i>k</i> )	0.1442	W/(m.K)
Btu/h	0.2931	W
Btu/h.ft <sup>2</sup>	3.155	W/m <sup>2</sup>
Btu/h.ft <sup>2</sup> .°F		
(heat transfer coefficient, <i>U</i> )	5.678	W/(m <sup>2</sup> .K)
Btu/lb	*2.326	kJ/kg
Btu/Lb.°F (specific heat, <i>C<sub>p</sub></i> )	4.814	kJ/(kg.K)
Bushel	0.03524	m <sup>3</sup>
Calorie, gram	4.187	J
Calorie, kilogram (kilocalorie)	4.187	kJ
Centipoise, dynamic viscosity	*1.00	mPa.s
Centistokes, kinematic viscosity, <i>v</i>	*1.00	mm <sup>2</sup> /s
Cio	0.155	m <sup>2</sup> .K/W
Dyne/cm <sup>2</sup>	0.100	Pa
EDR hot water (150 Btu/h)	44.0	W
EDR steam (240 Btu/h)	70.3	W
Fuel cost comparison at 100% eff.		
Cents per gallon (no. 2 fuel oil)	0.0677	\$/GJ
Cents per gallon (no. 6 fuel oil)	0.0632	\$/GJ
Cents per gallon (propane)	0.113	\$/GJ
Cent per kWh	2.78	\$/GL
Cents per therm	0.0948	\$/GJ
Ft	*0.3048	m
Fi	*304.8	mm
Ft/min, fpm	*0.00508	m/s
ft/s, fps	*0.3048	m/s
Ft of water	2.99	kPa
Ft of water .100 per ft of pipe	0.0981	kPa/m
Ft <sup>2</sup>	0.09290	m <sup>2</sup>
Ft <sup>2</sup> .h.°F/Btu (thermal resistance, R)	0.176	m <sup>2</sup> .K/W
Ft <sup>2</sup> /s, kinematic viscosity <i>v</i>	92 900	mm <sup>2</sup> /s
Ft <sup>3</sup>	28.32	L
Ft <sup>3</sup>	0.0 2832	m <sup>3</sup>
Ft <sup>3</sup> /h, cfh	7.866	mL/s
Ft <sup>3</sup> /min, cfm	0.4719	L/s
Ft <sup>3</sup> /s cfs	28.32	L/s
Footcandle	10.76	lx
Fl.lb (torque or moment)	1.36	N.m
Ft.lb/lb (work)	1.36	J
Ft.lb/lb (specific energy)	2.99	J/kg
Fl.lb/min (power)	0.0226	W
Gallon, US (*231 in <sup>3</sup> )	3.7854	L
gph	1.05	mL/J
gpm	0.0631	L/s
gpm/ft <sup>2</sup>	0.6791	l/(s.m <sup>2</sup> )
gpm/ton refrigeration	0.0179	mL/J
Grain (1/7000 lb)	0.0648	g
g/gal	17.1	g/m <sup>3</sup>
Horsepower (boiler)	9.81	kW
Horsepower (550 ft.lb/s)	0.746	kW
Inch	*25.4	mm
To Obtain	By	Divide

Multiply	By	To Obtain
In of mercury (60 °F)	3.77	kPa
In of water (60 °F)	248.8	Pa
In/100 ft (thermal expansion)	0.833	mm/m
In.lb (torque or moment)	113	mN.m
In <sup>2</sup>	645	mm <sup>2</sup>
In <sup>3</sup> (volume)	16.4	mL
In <sup>3</sup> /min (SCIM)	0.273	mL/s
In <sup>3</sup> (section modulus)	16.400	mm <sup>3</sup>
In <sup>4</sup> (section moment)	416 200	mm <sup>4</sup>
km/h	0.278	m/s
kWh	*3.60	MJ
kW/1000 cfm	2.12	kJ/m <sup>3</sup>
kilopond (kg force)	9.81	N
Kip (1000 lb)	4.45	kN
Kip/in <sup>2</sup> (ksi)	6.895	MPa
litre	*0.001	m <sup>3</sup>
met	*58.15	W/m <sup>2</sup>
Micron (m) of mercury (60 °F)	133	mPa
Mile	1.61	kn
Mile, nautical	1.85	km
mph	1.61	Km/h
mph	0.447	m/s
millibar	*0.100	kPa
Mm of mercury (60 °F)	0.133	kPa
Mm of water (60 °F)	9.80	Pa
Ounce (mass, avoirdupois)	28.35	g
Ounce (force of thrust)	0.278	N
Ounce (Liquid, US)	29.6	mL
Ounce (mass, avoirdupois) per gallon	7.49	kg/m <sup>3</sup>
Perm (permeance)	57.45	ng/(s.m <sup>2</sup> .pa)
Perm inch (permeability)	1.46	ng/(s.m.pa)
Pint (liquid, US)	473	mL
Pound		
Lb (mass)	0.4536	kg
Lb (mass)	453.6	g
Lb (force of thrust)	4.45	N
Lb/ft (uniform load)	1.49	kg/m
lb <sub>w</sub> /(ft.h) (dynamic viscosity, <i>u</i> )	0.413	mPa.s
lb <sub>w</sub> /(ft.s) (dynamic viscosity, <i>u</i> )	1490	mPa.s
lb <sub>s</sub> /ft <sup>2</sup> (dynamic viscosity, <i>u</i> )	47 880	mPa.s
lb/min	0.00756	kg/s
lb/h	0.126	g/s
lb/h (steam at 212 °F)	0.284	kW
lb <sub>w</sub> /ft <sup>2</sup>	47.9	Pa
lb <sub>w</sub> /ft <sup>2</sup>	4.88	kg/m <sup>2</sup>
lb <sub>w</sub> /ft <sup>2</sup> (density,ρ)	16.0	kg/m <sup>3</sup>
lb/gallon	120	kg/m <sup>3</sup>
Ppm (by mass)	*1.00	mg/kg
psi	6.895	kPa
Quart (liquid, US)	0.946	L
Square (100 ft <sup>2</sup> )	9.29	m <sup>2</sup>
Tablespoon (aprox.)	15	mL
Teaspoon (aprox.)	5	mL
Therm (100,000 Btu)	105.5	MJ
Ton, short (2000 lb)	0.907	Mg, t (tonne)
Ton, refrigeration (12, 000 Btu/h)	3.517	kW
torr (1 mm hg at 0 °C)	133	Pa
Watt per square foot	10.8	W/m <sup>2</sup>
Yd	*0.9144	m
Yd <sup>2</sup>	0.836	m <sup>2</sup>
Yd <sup>3</sup>	0.7646	m <sup>3</sup>
To Obtain	By	Divide

Note: In this list the kelvin (k) expresses temperature intervals. The degree celcius symbol (oC) is often used for this purpose as well.

\*Conversion factor is exact.